

Customer: \_\_\_\_\_

E-mail: \_\_\_\_\_

Product: \_\_\_\_\_

Product sizes: ..... x ..... x ..... mm.

Capacity: min. .... p/min. max. .... p/min.

Product weight: min. .... Kg. max. .... Kg.

Product orientation infeed:  Short  Long Side Leading

Product orientation outfeed:  Short  Long Side Leading

Product infeed: ..... mm.

Product outfeed: ..... mm.

Infeed conveyor: Driven / Gravity

Outfeed conveyor: Driven / Gravity

Sensors: Yes / No

Safety fencing: Yes / No

Safety fencing door: Yes / No

Layout: \_\_\_\_\_

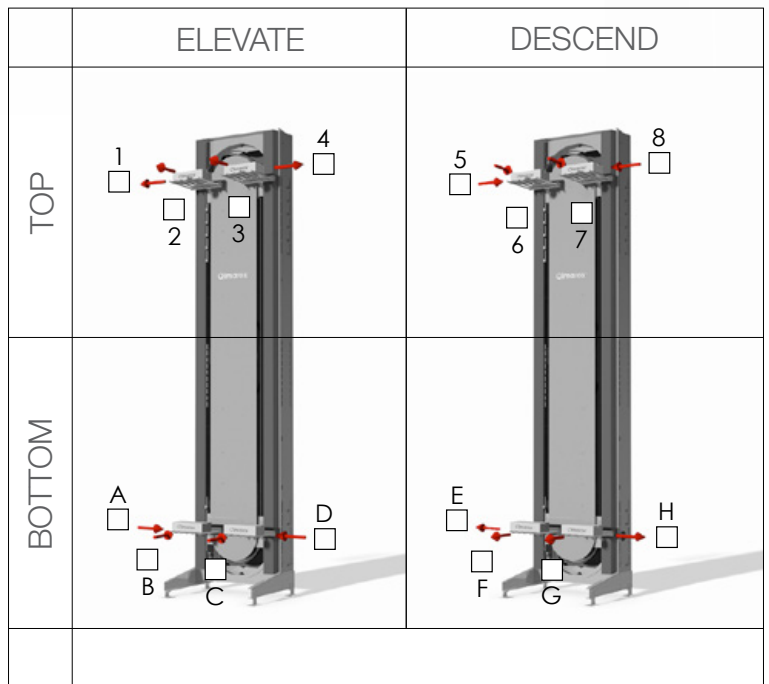
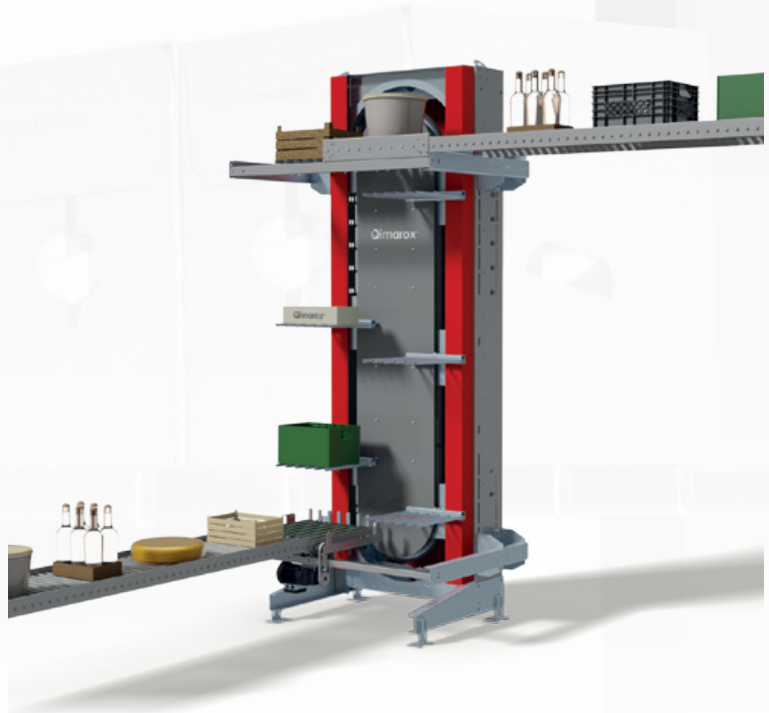
Environment conditions: Send to [info@Qimarox.com](mailto:info@Qimarox.com)

Remarks: \_\_\_\_\_

\_\_\_\_\_

\_\_\_\_\_

\_\_\_\_\_



Suitable for

- Carton Trays • Bins • Tires • Books • Cardboard boxes • Shrink wrapped products • Soft parcels • Magazines
- Newspaper bundles • Frozen foods • Trays • Packaged bottles • Boxes • Bags • Totes

" DISCLAIMER: This document is for informational en promotional purposes only  
 All orders are subject to the Qimarox terms and conditions and Qimarox's written confirmation. Copyright © 2017 Qimarox® "