



Nobelstraat 43
3846 CE Harderwijk
The Netherlands

Phone: +31 341 - 436700
Fax: +31 341 - 436701
www.qimarox.com
info@qimarox.com

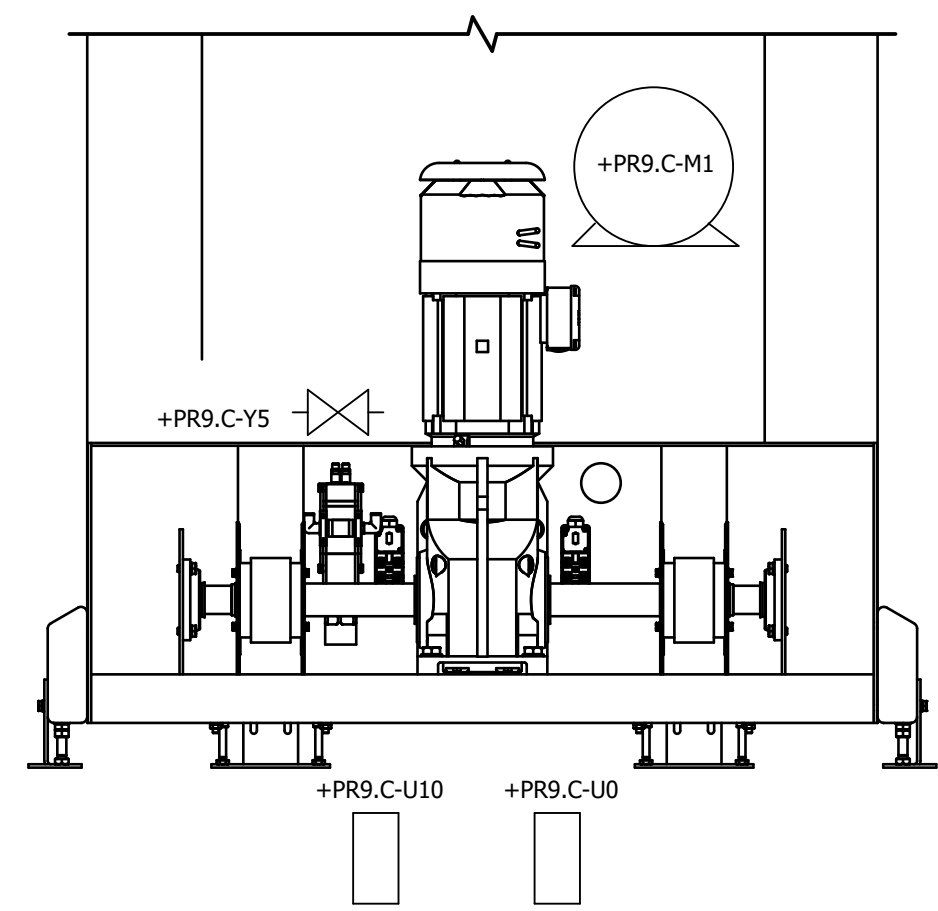
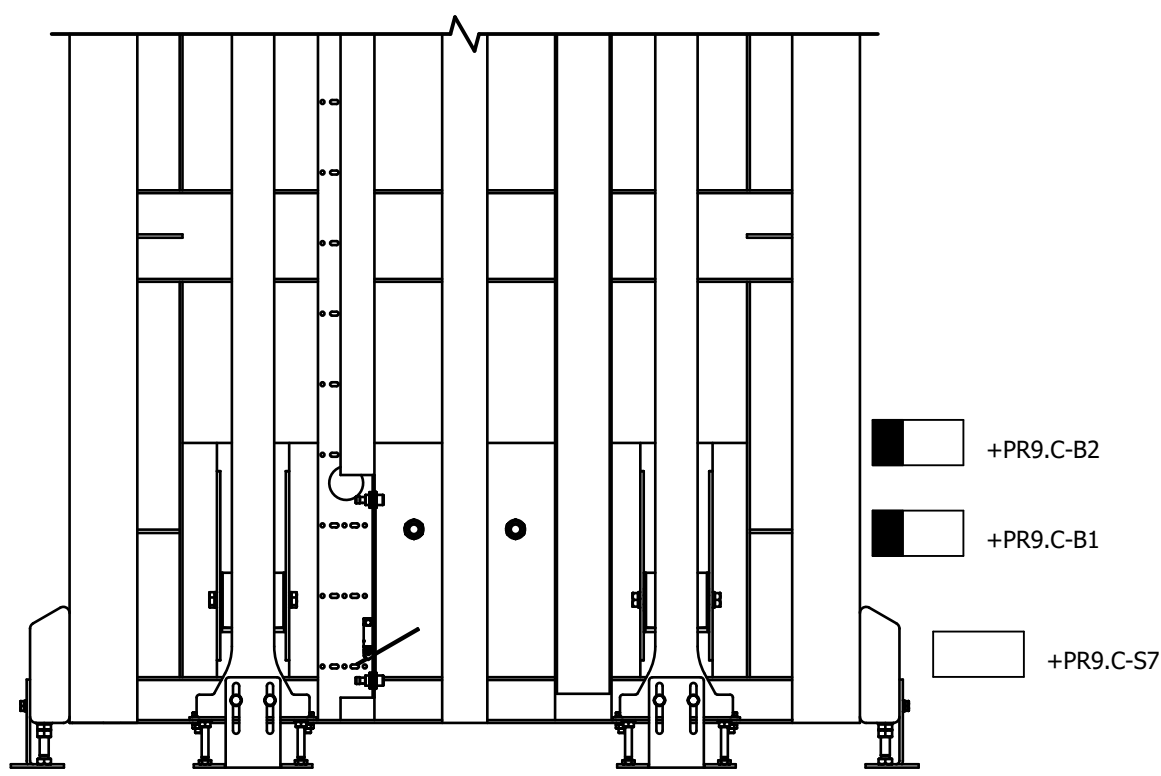
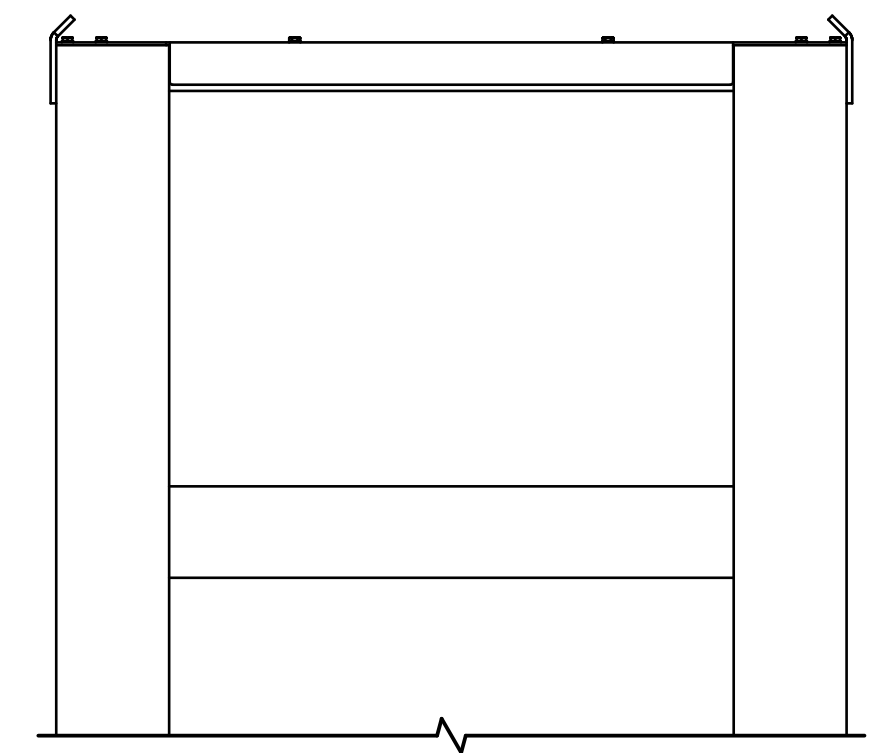
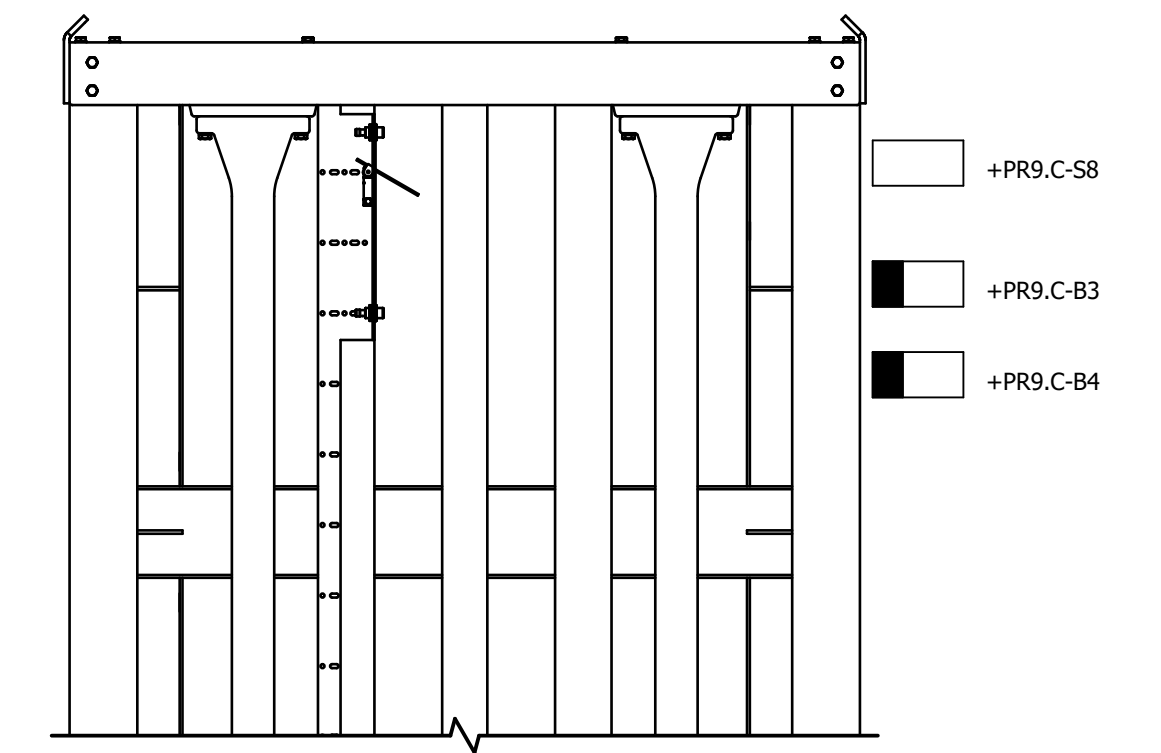
Document name: Electrical drawings PRmk9 v9.1 Stand alone
Mounting location: Column
Type: Stand alone, Standard

Power supply: See specification sheet
Control voltage: 24VDC
According to: NEN-EN-IEC 60204-1: 2018

Version number: v9.1

Table of contents

Page	Page description
1	Title page
2	Table of contents
10	Layout column
20	Overview passive plug-in terminal column
21	Overview passive plug-in terminal column Quick exhaust valve
150	Gearmotor, 3 fase
500	Field components
501	Field components
502	Field components
503	Field components
2000	Parts list

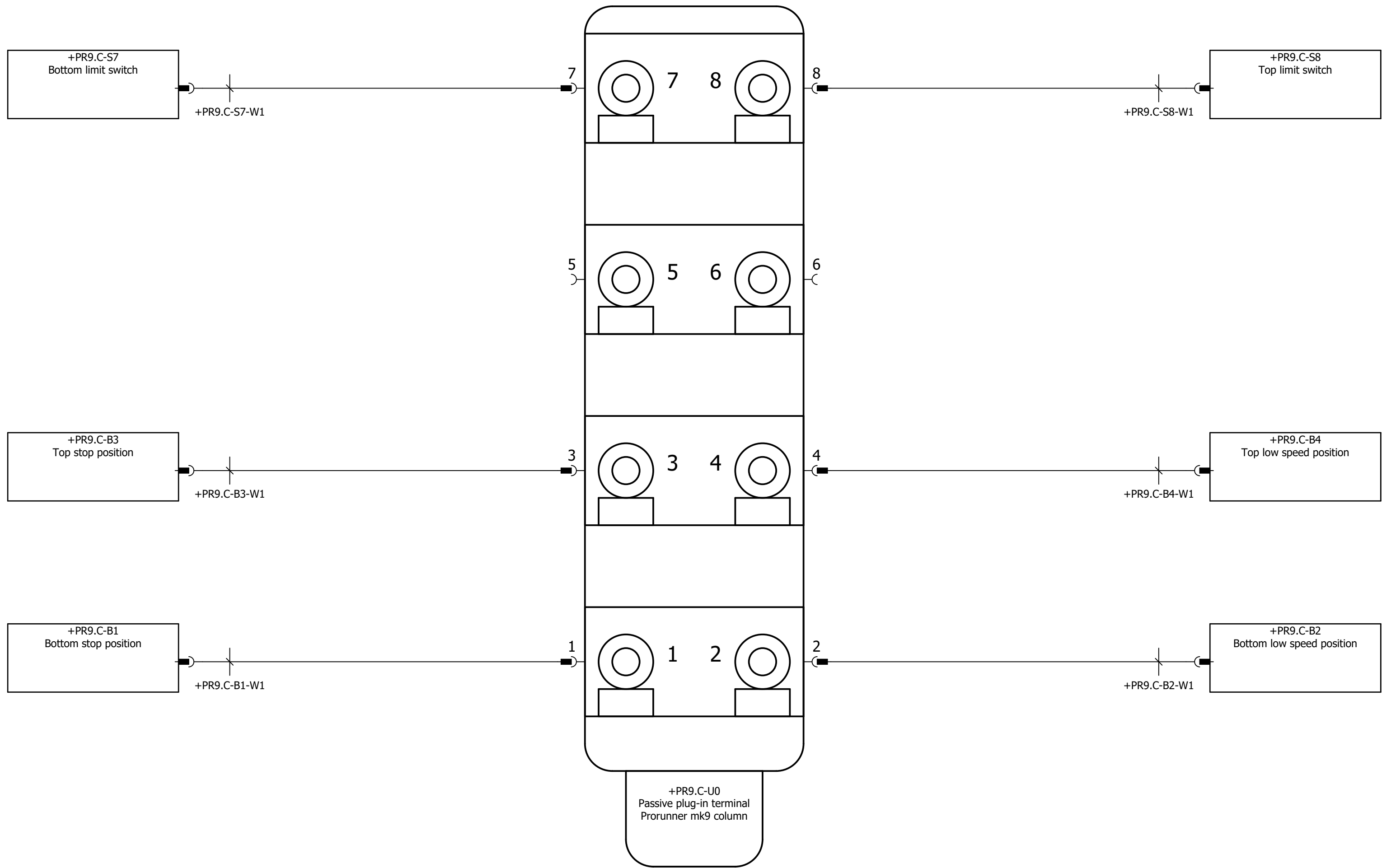


Legend:

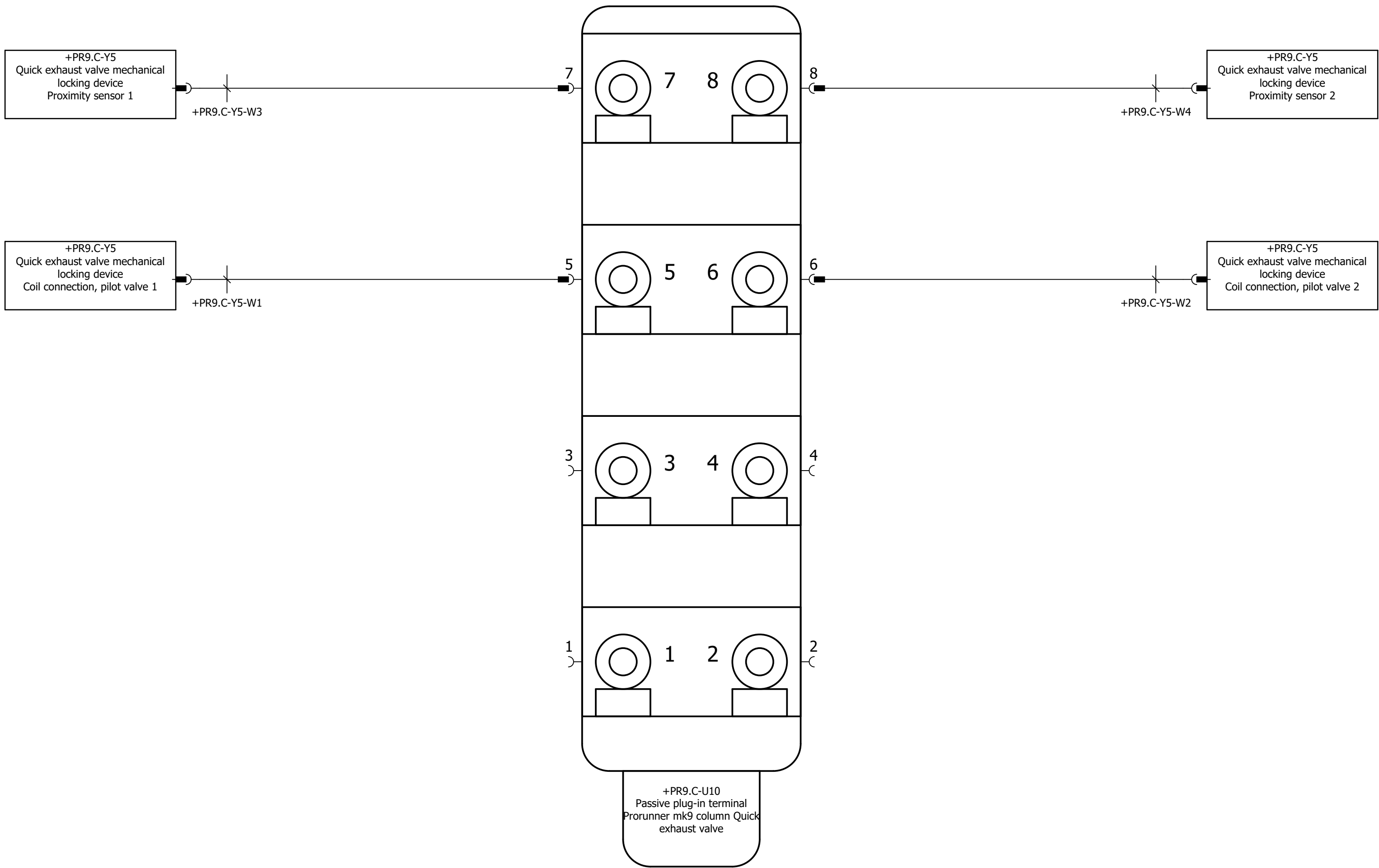
- +PR9.C-M1 Gearmotor Prorunner mk9
- +PR9.C-B1 Bottom stop position
- +PR9.C-B2 Bottom low speed position
- +PR9.C-B3 Top stop position
- +PR9.C-B4 Top low speed position
- +PR9.C-S7 Bottom limit switch
- +PR9.C-S8 Top limit switch
- +PR9.C-Y5 Quick exhaust valve mechanical locking device
- +PR9.C-U0 Passive plug-in terminal Prorunner mk9 column
- +PR9.C-U10 Passive plug-in terminal Prorunner mk9 column Quick exhaust valve

For technical specifications of gearmotor, applied options, machine configuration and other data see specification sheet.

Image may differ from reality.



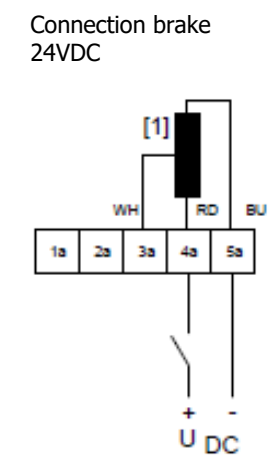
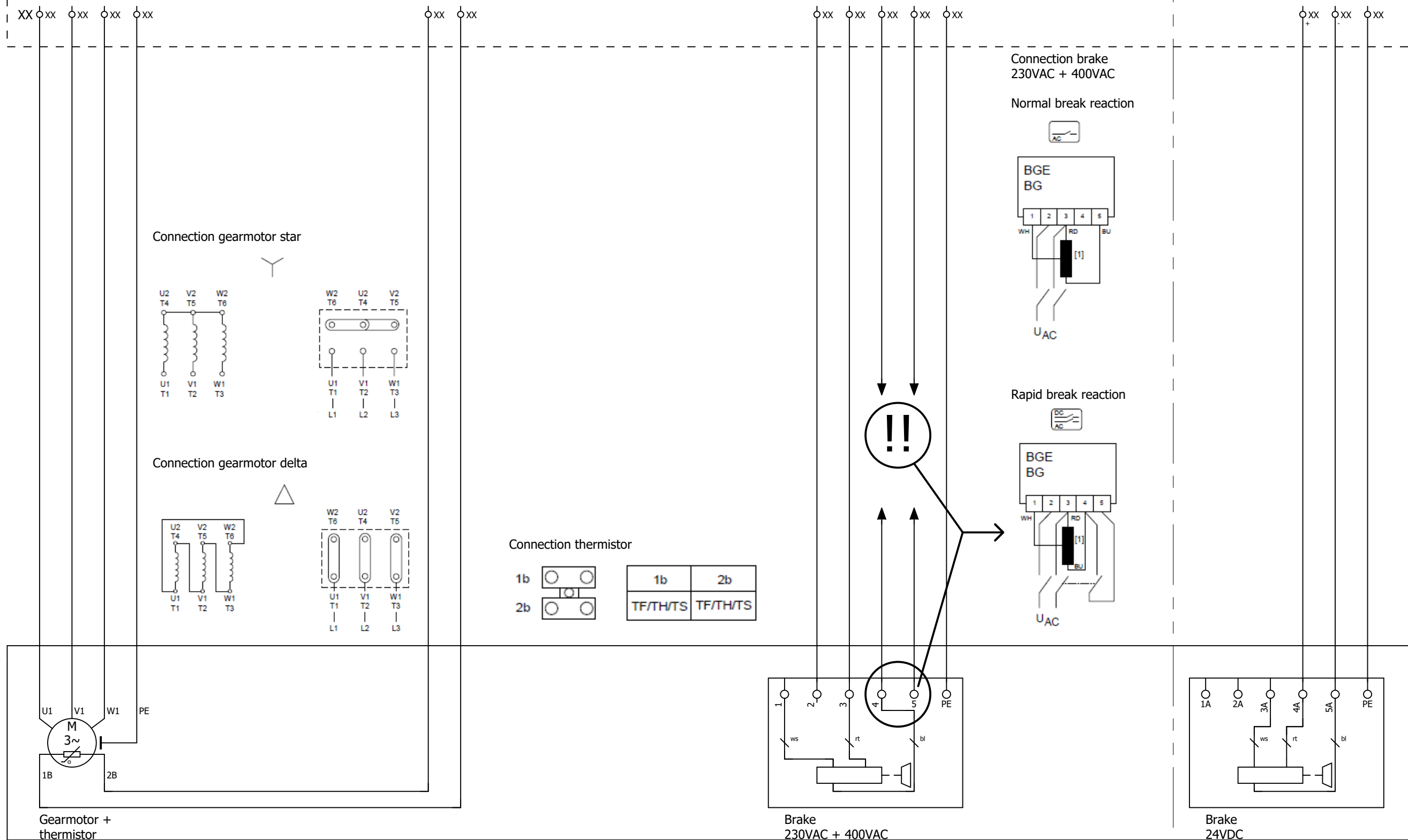
For technical specifications of gearmotor, machine configuration and other data see specification sheet.



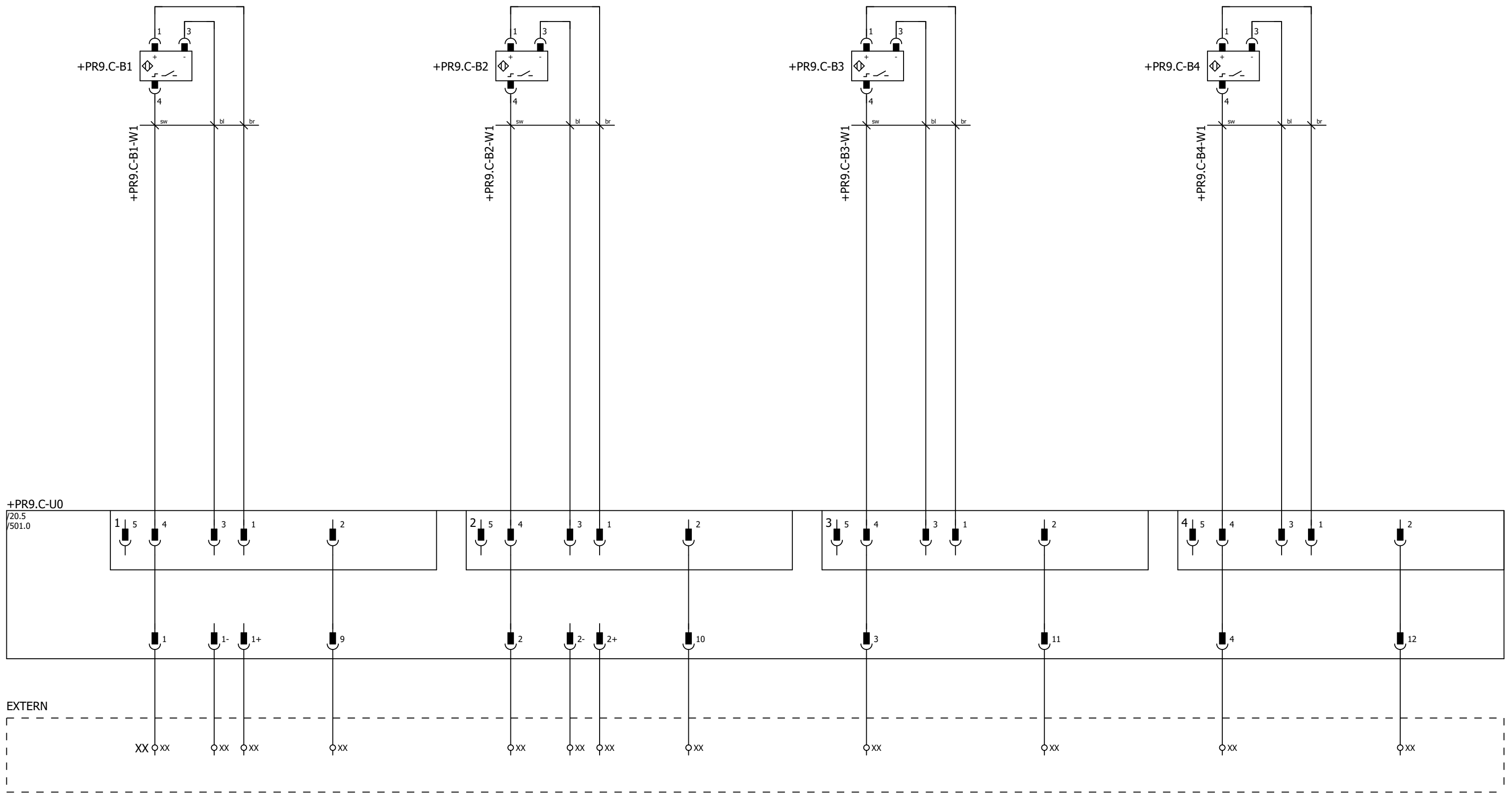
For technical specifications of gearmotor, machine configuration and other data see specification sheet.

EXTERN

Alternative



For technical specifications of gearmotor, applied options, machine configuration and other data see specification sheet.



Passive plug-in terminal Prorunner mk9 column

Bottom stop position Spare Bottom low speed position Spare Top stop position Spare Top low speed position Spare

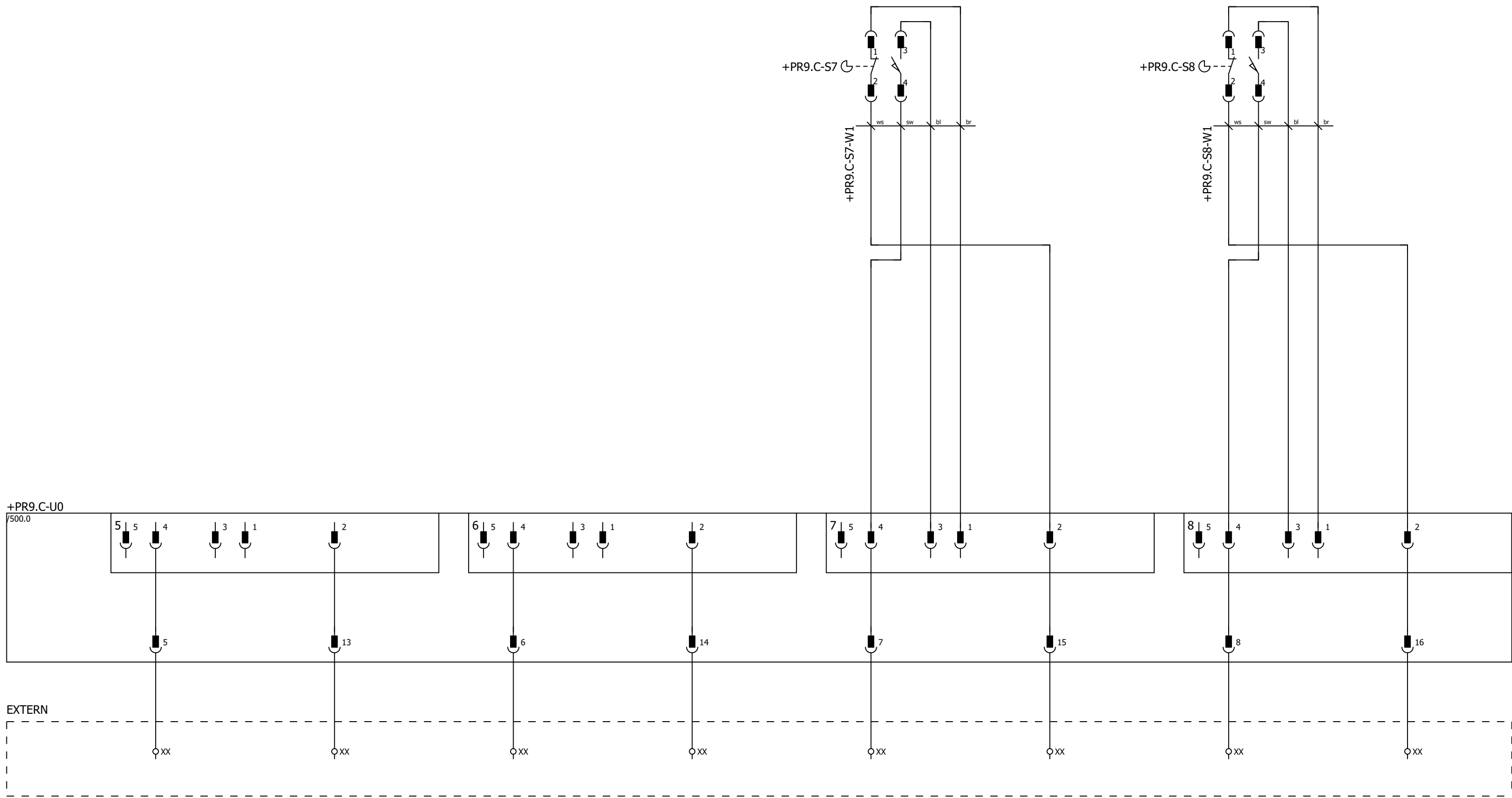


Description of the project
Prorunner mk9
 Stand alone, Standard

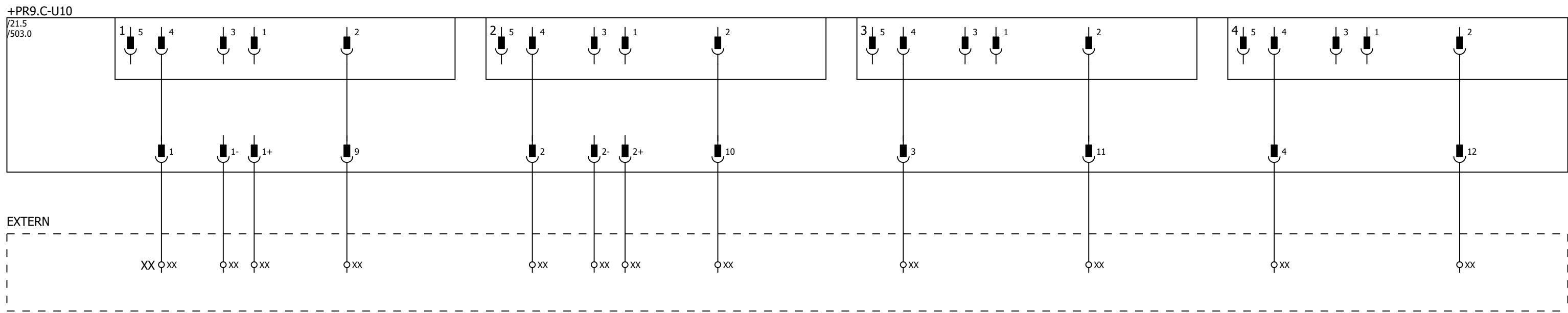
Mounting location
 Column

Page description
 Field components

Ed.	DSP	=
Date	31-8-2021	+ PR9.C
Version	v9.1	Page 500



Passive plug-in terminal Prorunner mk9 column	Spare	Spare	Spare	Spare	Bottom limit switch (Not in use, not possible)	Bottom limit switch	Top limit switch (Not in use, not possible)	Top limit switch
--	-------	-------	-------	-------	---	---------------------	--	------------------



Passive plug-in terminal
 Prorunner mk9
 column Quick
 exhaust valve

Spare Spare Spare Spare Spare Spare Spare Spare



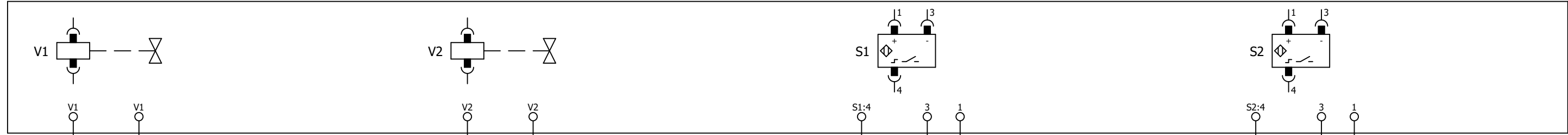
Description of the project
Prorunner mk9
 Stand alone, Standard

Mounting location
 Column

Page description
 Field components

Ed.	DSP	=
Date	31-8-2021	+ PR9.C
Version	v9.1	Page 502

+PR9.C-Y5



+PR9.C-Y5-W1

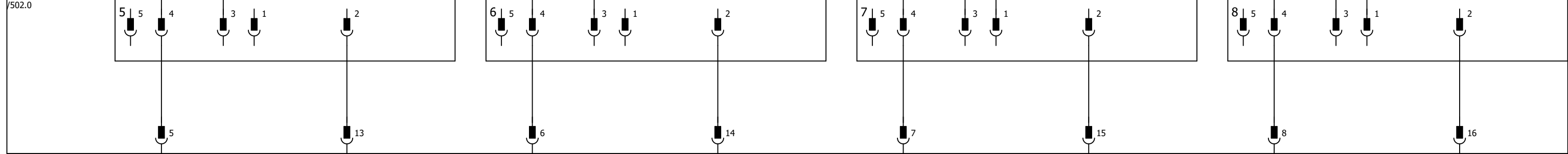
+PR9.C-Y5-W2

+PR9.C-Y5-W3

+PR9.C-Y5-W4

+PR9.C-U10

/502.0



EXTERN



- Passive plug-in terminal
- Quick exhaust valve mechanical locking device
- Spare
- Quick exhaust valve mechanical locking device
- Spare
- Quick exhaust valve mechanical locking device
- Spare
- Quick exhaust valve mechanical locking device
- Spare

Prorunner mk9 column Quick exhaust valve

Coil connection, pilot valve 1

Coil connection, pilot valve 2

Proximity sensor 1

Proximity sensor 2



Description of the project
Prorunner mk9
 Stand alone, Standard

Mounting location
 Column

Page description
 Field components

Ed.	DSP	=
Date	31-8-2021	
Version	v9.1	+ PR9.C
		Page 503

Parts list

Position	Quantity	Article number	Description	Manufacturer	Type number
-B1	1	1000932	Inductive proximity sensor	Sick	IME18-08BPSZC0K
-B1-W1	1	1001601	Prefab cable, PVC, 1 meter, connector M12 male 90°+ M12 female 90°, 4-pole	Murrelektronik	PVC-OB 4x0,34mm2
-B1-W1	1	1001326	Prefab cable, PVC, 5 meter, connector M12 male 90°+ M12 female 90°, 4-pole	Murrelektronik	PVC-OB 4x0,34mm2
-B2	1	1000932	Inductive proximity sensor	Sick	IME18-08BPSZC0K
-B2-W1	1	1001601	Prefab cable, PVC, 1 meter, connector M12 male 90°+ M12 female 90°, 4-pole	Murrelektronik	PVC-OB 4x0,34mm2
-B2-W1	1	1001326	Prefab cable, PVC, 5 meter, connector M12 male 90°+ M12 female 90°, 4-pole	Murrelektronik	PVC-OB 4x0,34mm2
-B3	1	1000932	Inductive proximity sensor	Sick	IME18-08BPSZC0K
-B3-W1	1	1001326	Prefab cable, PVC, 5 meter, connector M12 male 90°+ M12 female 90°, 4-pole	Murrelektronik	PVC-OB 4x0,34mm2
-B3-W1	1	1001600	Prefab cable, PVC, 10 meter, connector M12 male 90°+ M12 female 90°, 4-pole	Murrelektronik	PVC-OB 4x0,34mm2
-B3-W1	1	1006487	Prefab cable, PVC, 15 meter, connector M12 male 90°+ M12 female 90°, 4-pole	Murrelektronik	PVC-OB 4x0,34mm2
-B4	1	1000932	Inductive proximity sensor	Sick	IME18-08BPSZC0K
-B4-W1	1	1001326	Prefab cable, PVC, 5 meter, connector M12 male 90°+ M12 female 90°, 4-pole	Murrelektronik	PVC-OB 4x0,34mm2
-B4-W1	1	1001600	Prefab cable, PVC, 10 meter, connector M12 male 90°+ M12 female 90°, 4-pole	Murrelektronik	PVC-OB 4x0,34mm2
-B4-W1	1	1006487	Prefab cable, PVC, 15 meter, connector M12 male 90°+ M12 female 90°, 4-pole	Murrelektronik	PVC-OB 4x0,34mm2
-M1	1		See specification sheet		
-S7	1	AE0005524	Limit switch basic contact element, M12 connector	Schneider Electric	ZCMD21C12
-S7	1	AE0005537	Limit switch lever	Schneider Electric	ZCY54
-S7	1	AE0005534	Limit switch control head	Schneider Electric	ZCE05
-S7-W1	1	1001601	Prefab cable, PVC, 1 meter, connector M12 male 90°+ M12 female 90°, 4-pole	Murrelektronik	PVC-OB 4x0,34mm2
-S8	1	AE0005524	Limit switch basic contact element, M12 connector	Schneider Electric	ZCMD21C12
-S8	1	AE0005537	Limit switch lever	Schneider Electric	ZCY54
-S8	1	AE0005534	Limit switch control head	Schneider Electric	ZCE05
-S8-W1	1	1001326	Prefab cable, PVC, 5 meter, connector M12 male 90°+ M12 female 90°, 4-pole	Murrelektronik	PVC-OB 4x0,34mm2
-S8-W1	1	1001600	Prefab cable, PVC, 10 meter, connector M12 male 90°+ M12 female 90°, 4-pole	Murrelektronik	PVC-OB 4x0,34mm2
-S8-W1	1	1006487	Prefab cable, PVC, 15 meter, connector M12 male 90°+ M12 female 90°, 4-pole	Murrelektronik	PVC-OB 4x0,34mm2
-U0	1	1003309	Passive plug-in terminal, 8-fold, 5-pole, M12	Murrelektronik	Exact12 8xM12 5-p
-U10	1	1003309	Passive plug-in terminal, 8-fold, 5-pole, M12	Murrelektronik	Exact12 8xM12 5-p
-Y5	1	AE0066989	Soft-start / quick exhaust valve	Festo	MS6-SV-1/2-D-10V24P-2M12-AG-WPB
-Y5-W1	1	AE0068488	Prefab cable, PVC, 0,6 meter, connector M12 male 90°+ M12 female 90°, 4-pole	Murrelektronik	PVC-OB 4x0,34mm2
-Y5-W2	1	AE0068488	Prefab cable, PVC, 0,6 meter, connector M12 male 90°+ M12 female 90°, 4-pole	Murrelektronik	PVC-OB 4x0,34mm2



Nobelstraat 43
3846 CE Harderwijk
The Netherlands

Phone: +31 341 - 436700
Fax: +31 341 - 436701
www.qimarox.com
info@qimarox.com

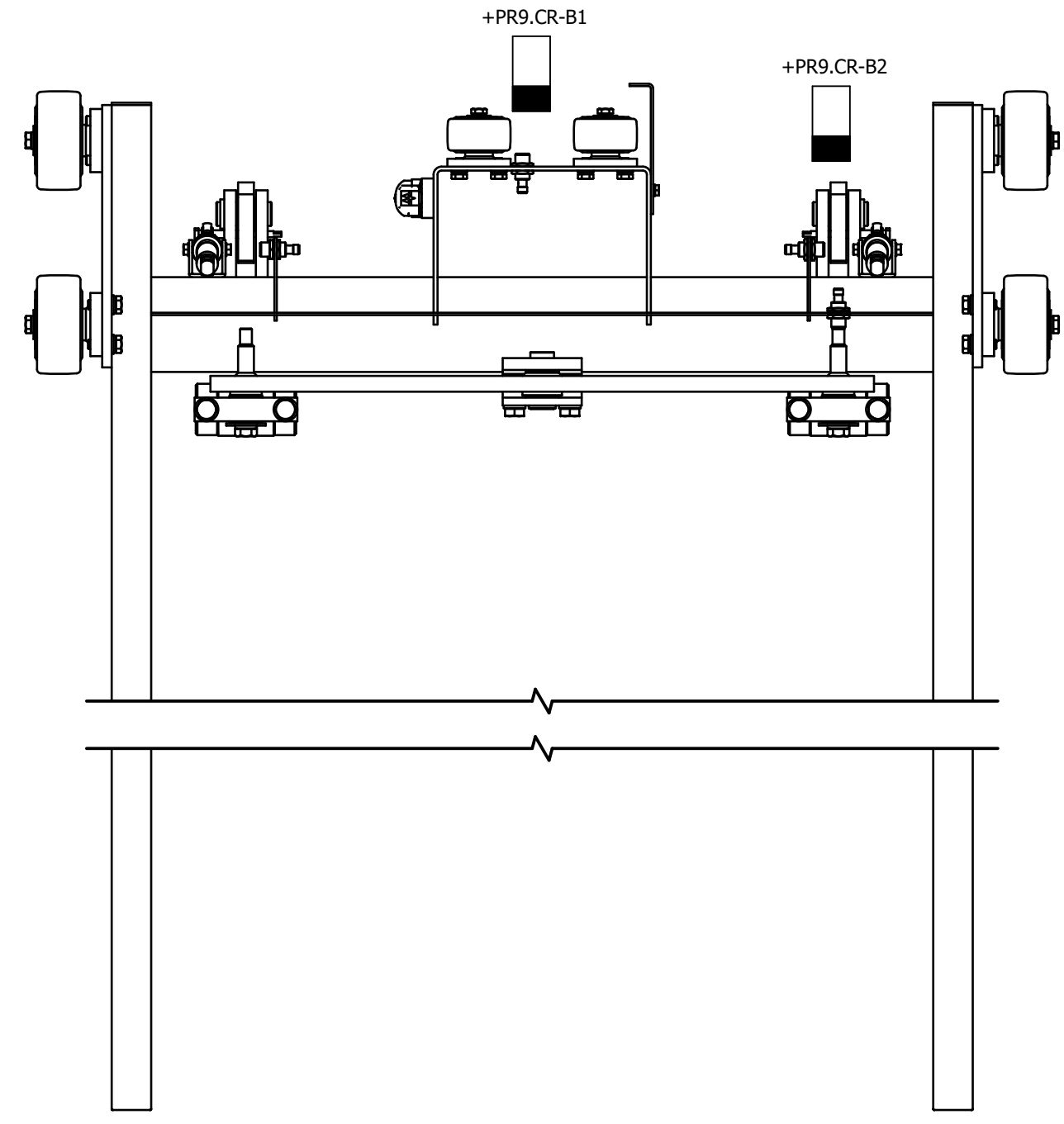
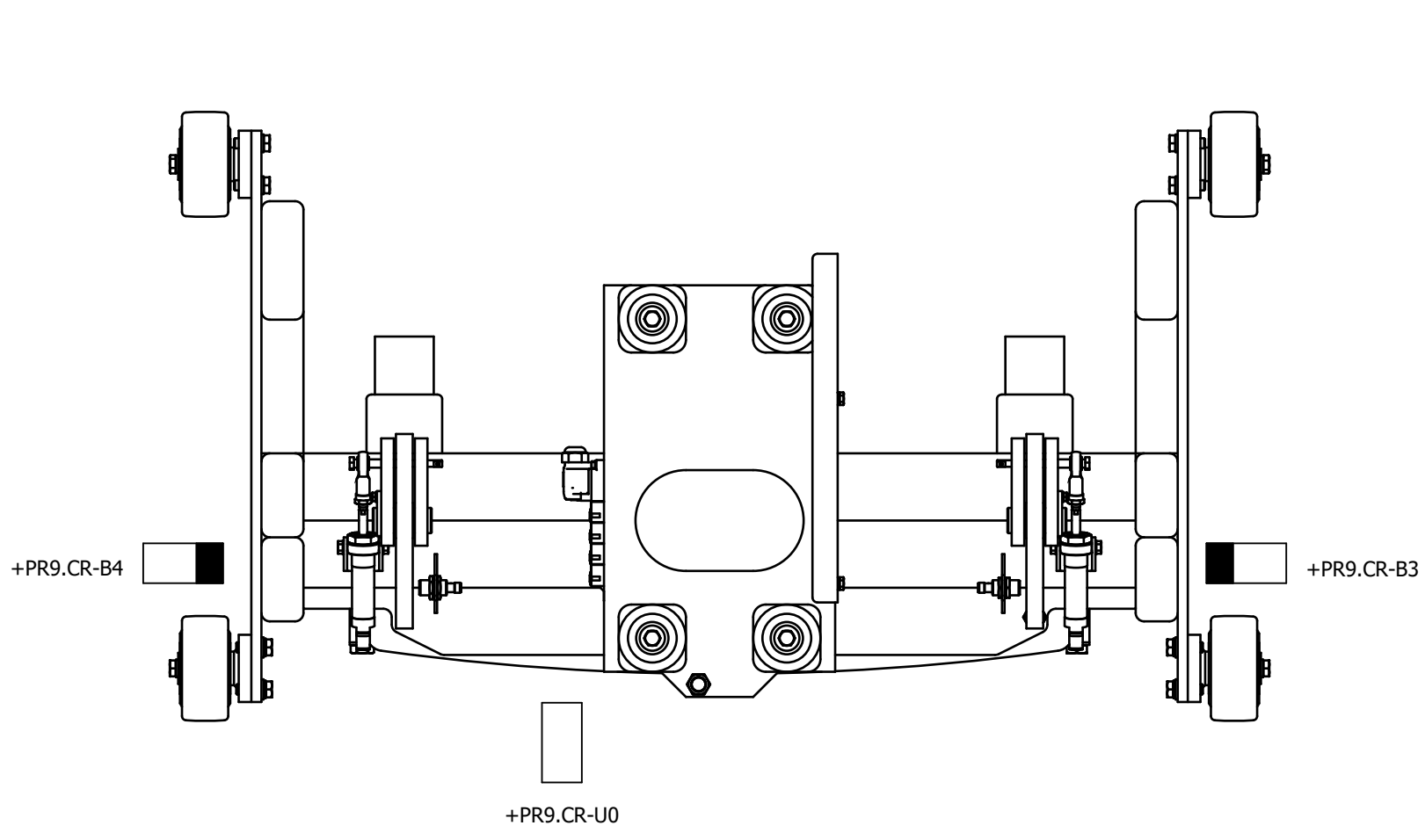
Document name: Electrical drawings PRmk9 v9.1 Stand alone
Mounting location: Carrier
Type: Stand alone, Standard

Power supply: See specification sheet
Control voltage: 24VDC
According to: NEN-EN-IEC 60204-1: 2018

Version number: v9.1

Table of contents

Page	Page description
1	Title page
2	Table of contents
10	Layout carrier
20	Overview passive plug-in terminal carrier
500	Field components
501	Field components
2000	Parts list

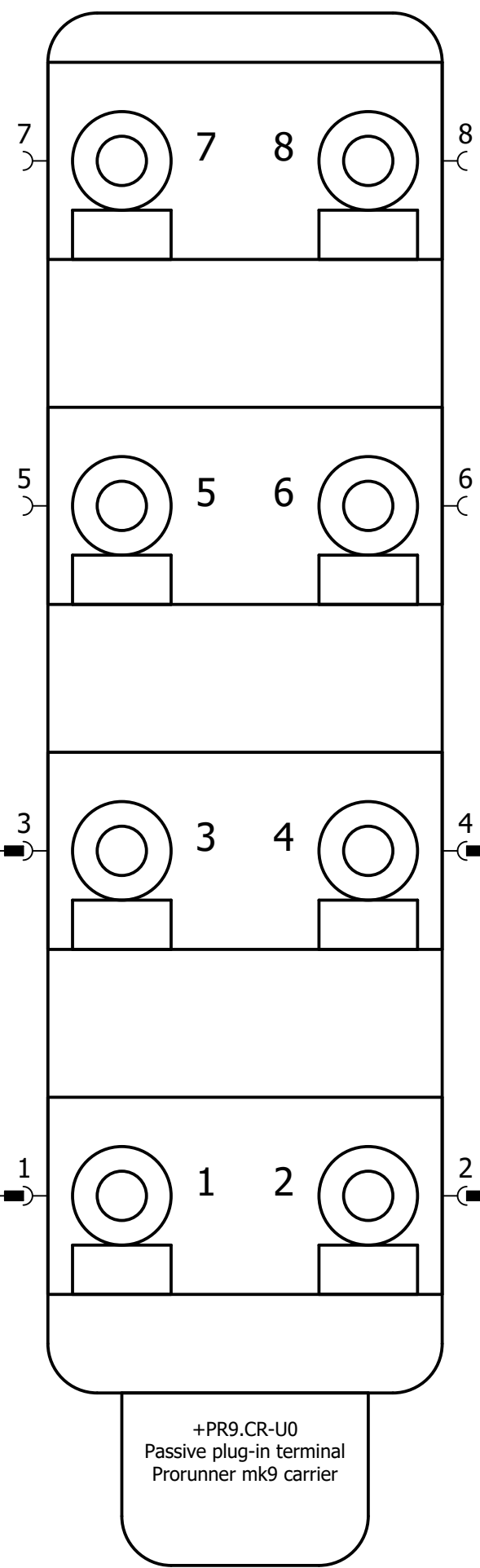


Legend:

- +PR9.CR-B1 Carrier tilting sensor ok
- +PR9.CR-B2 Carrier seesaw sensor ok
- +PR9.CR-B3 Mechanical locking device 1 retracted
- +PR9.CR-B4 Mechanical locking device 2 retracted
- +PR9.CR-U0 Passive plug-in terminal Prorunner mk9 carrier

For technical specifications of gearmotor, applied options, machine configuration and other data see specification sheet.

Image may differ from reality.



+PR9.CR-B3
Mechanical locking device 1
retracted

+PR9.CR-B3-W1

+PR9.CR-B4
Mechanical locking device 2
retracted

+PR9.CR-B4-W1

+PR9.CR-B1
Carrier tilting sensor ok

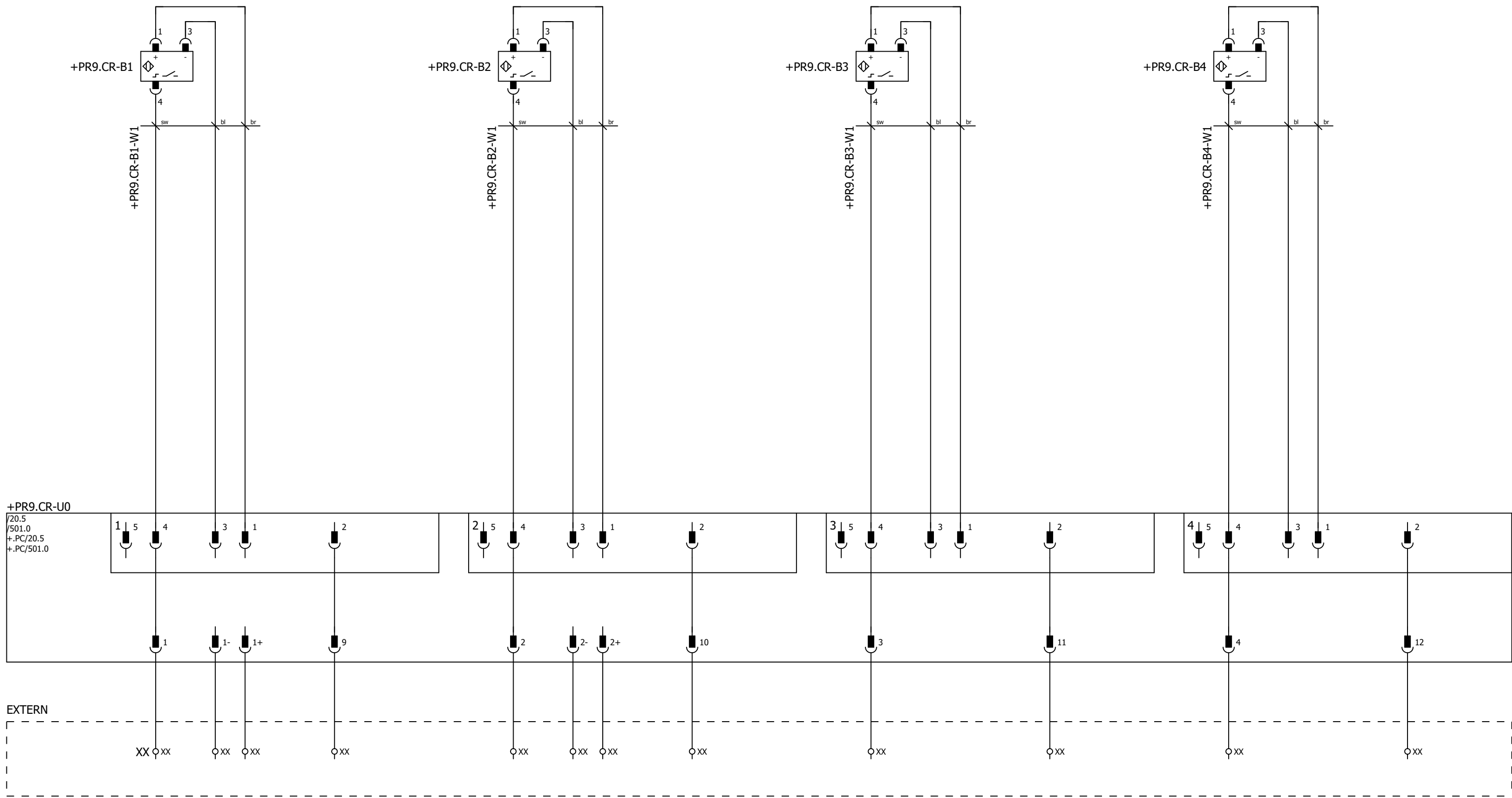
+PR9.CR-B1-W1

+PR9.CR-B2
Carrier seesaw sensor ok

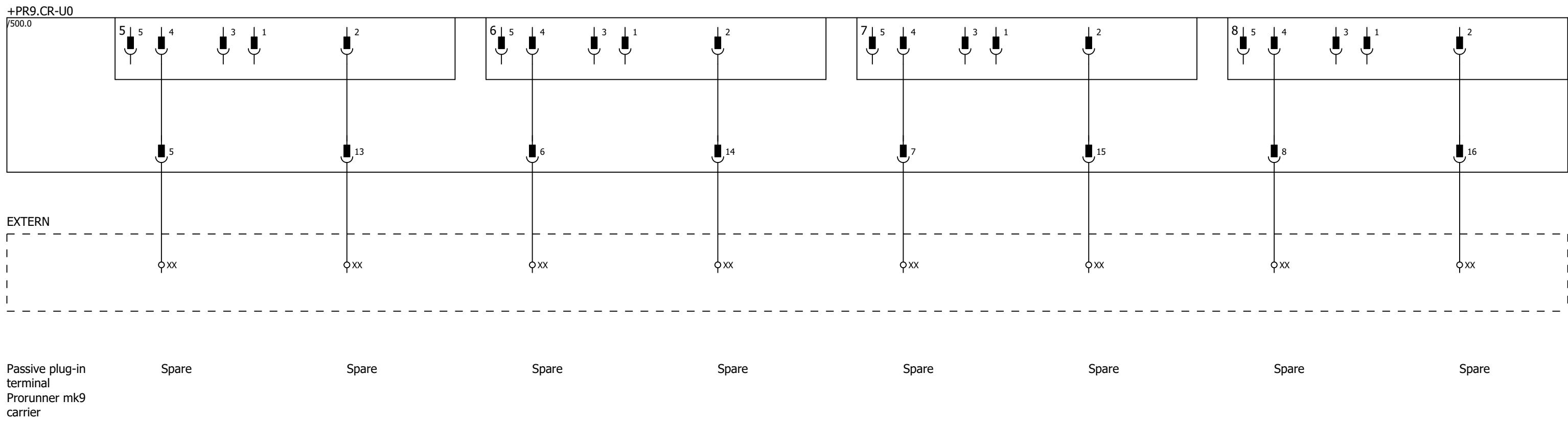
+PR9.CR-B2-W1

+PR9.CR-U0
Passive plug-in terminal
Prorunner mk9 carrier

For technical specifications of gearmotor, machine configuration and other data see specification sheet.



Passive plug-in terminal Prorunner mk9 carrier Carrier tilting sensor ok Spare Carrier seesaw sensor ok Spare Mechanical locking device 1 retracted Spare Mechanical locking device 2 retracted Spare



Parts list

Position	Quantity	Article number	Description	Manufacturer	Type number
-B1	1	1000932	Inductive proximity sensor	Sick	IME18-08BPSZC0K
-B1-W1	1	1001601	Prefab cable, PVC, 1 meter, connector M12 male 90°+ M12 female 90°, 4-pole	Murrelektronik	PVC-OB 4x0,34mm2
-B2	1	1000932	Inductive proximity sensor	Sick	IME18-08BPSZC0K
-B2-W1	1	1001601	Prefab cable, PVC, 1 meter, connector M12 male 90°+ M12 female 90°, 4-pole	Murrelektronik	PVC-OB 4x0,34mm2
-B3	1	1000932	Inductive proximity sensor	Sick	IME18-08BPSZC0K
-B3-W1	1	1001601	Prefab cable, PVC, 1 meter, connector M12 male 90°+ M12 female 90°, 4-pole	Murrelektronik	PVC-OB 4x0,34mm2
-B4	1	1000932	Inductive proximity sensor	Sick	IME18-08BPSZC0K
-B4-W1	1	1001601	Prefab cable, PVC, 1 meter, connector M12 male 90°+ M12 female 90°, 4-pole	Murrelektronik	PVC-OB 4x0,34mm2
-U0	1	1003309	Passive plug-in terminal, 8-fold, 5-pole, M12	Murrelektronik	Exact12 8xM12 5-p



Nobelstraat 43
3846 CE Harderwijk
The Netherlands

Phone: +31 341 - 436700
Fax: +31 341 - 436701
www.qimarox.com
info@qimarox.com

Document name: Electrical drawings PRmk9 v9.1 Stand alone
Mounting location: Pallet conveyor on carrier
Type: Stand alone, Standard

This section is optional.

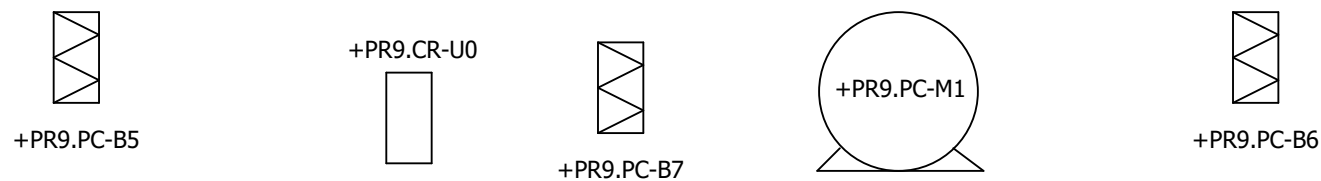
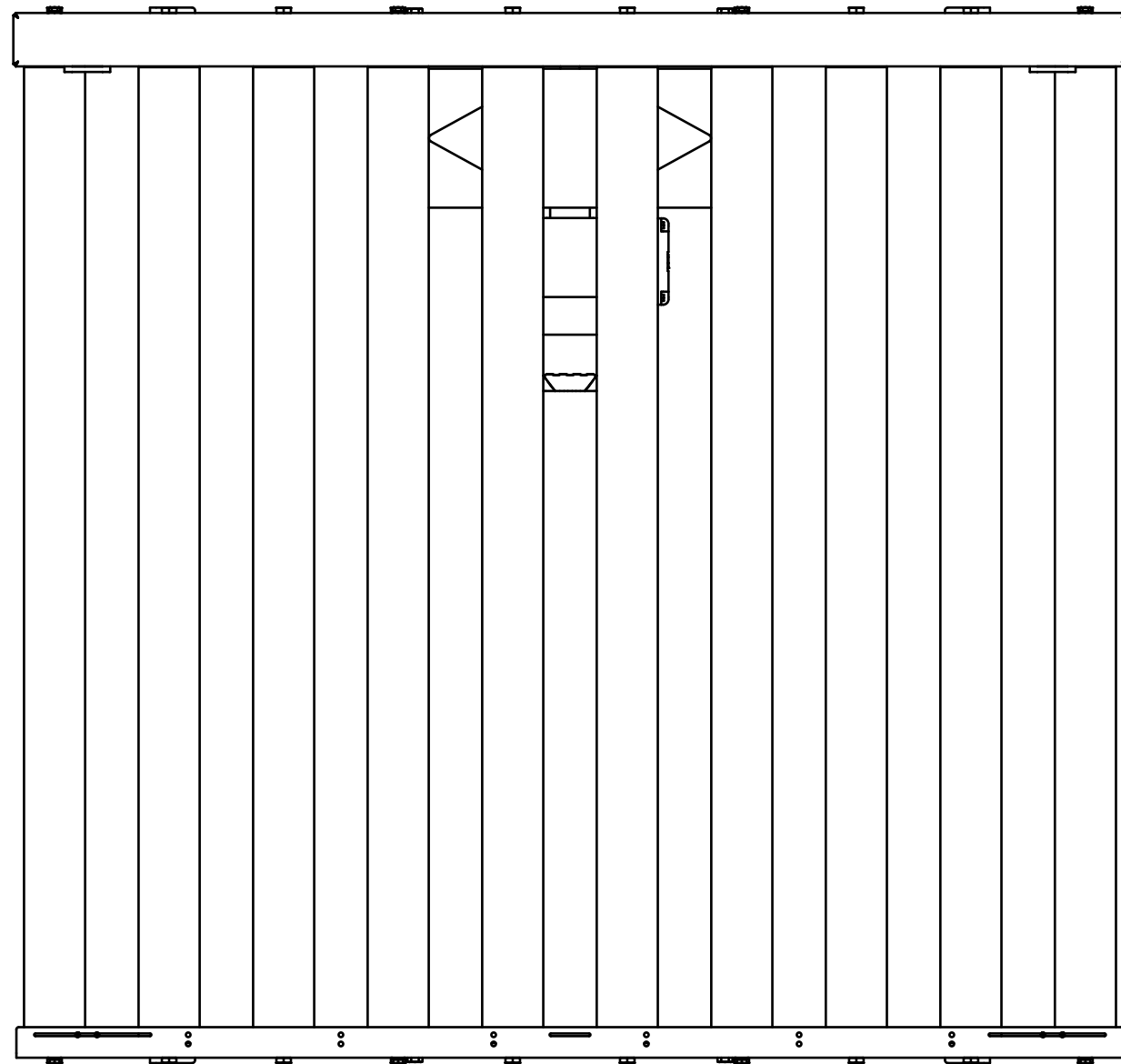
Power supply: See specification sheet
Control voltage: 24VDC
According to: NEN-EN-IEC 60204-1: 2018

Version number: v9.1

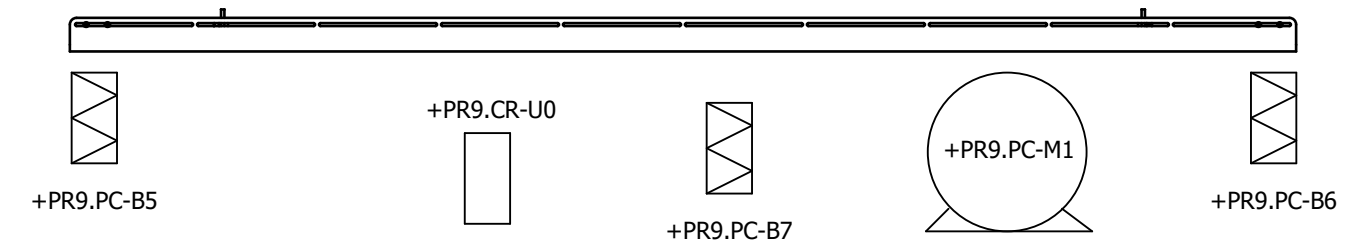
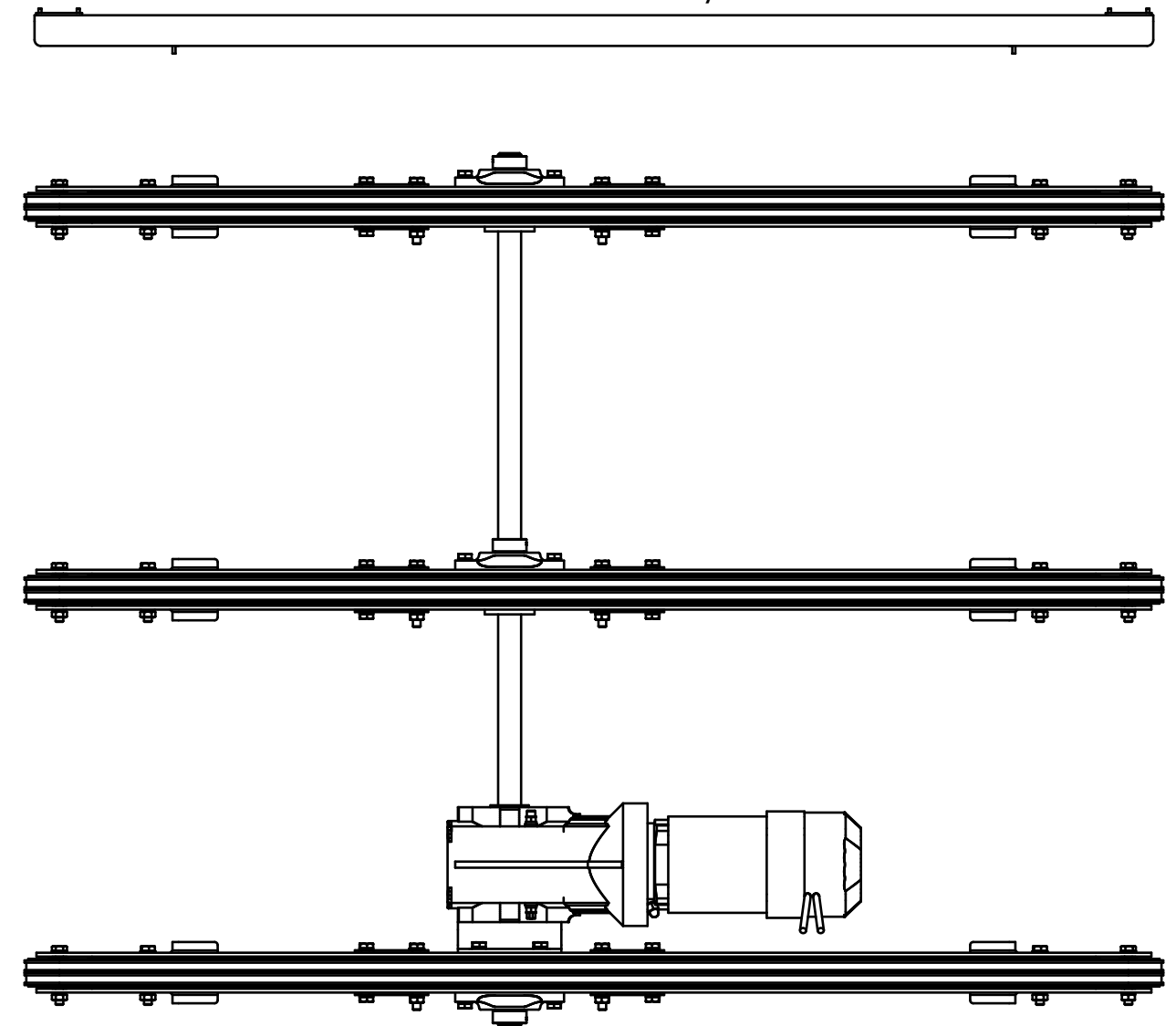
Table of contents

Page	Page description
1	Title page
2	Table of contents
10	Layout conveyor on carrier
20	Overview passive plug-in terminal carrier
150	Gearmotor, 3 fase
501	Field components
2000	Parts list

Roller conveyor



Chain conveyor

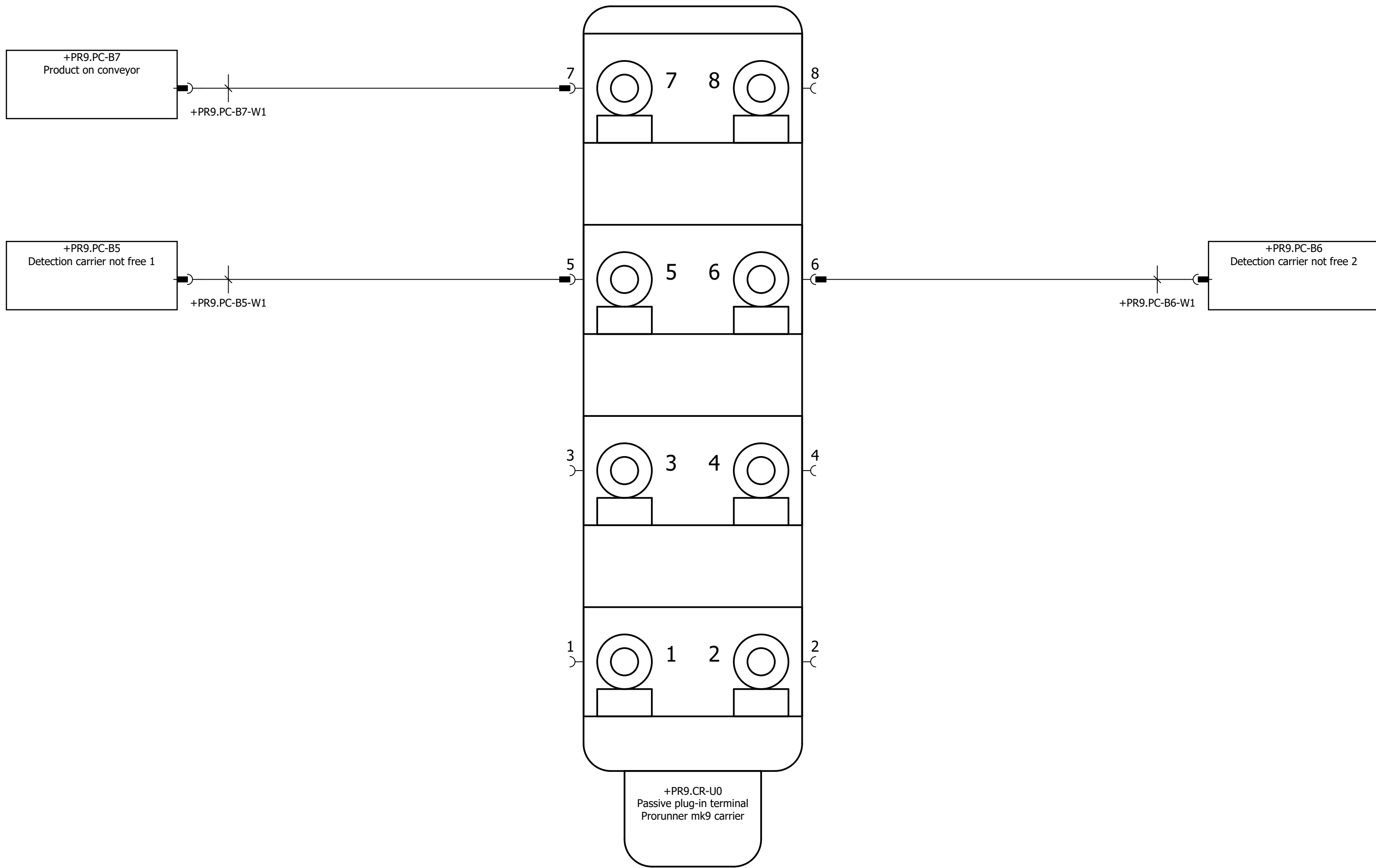


Legend:

- +PR9.PC-M1 Gearmotor conveyor on carrier
- +PR9.PC-B5 Detection carrier not free 1
- +PR9.PC-B6 Detection carrier not free 2
- +PR9.PC-B7 Product on conveyor
- +PR9.CR-U0 Passive plug-in terminal Prorunner mk9 carrier

For technical specifications of gearmotor, applied options, machine configuration and other data see specification sheet.

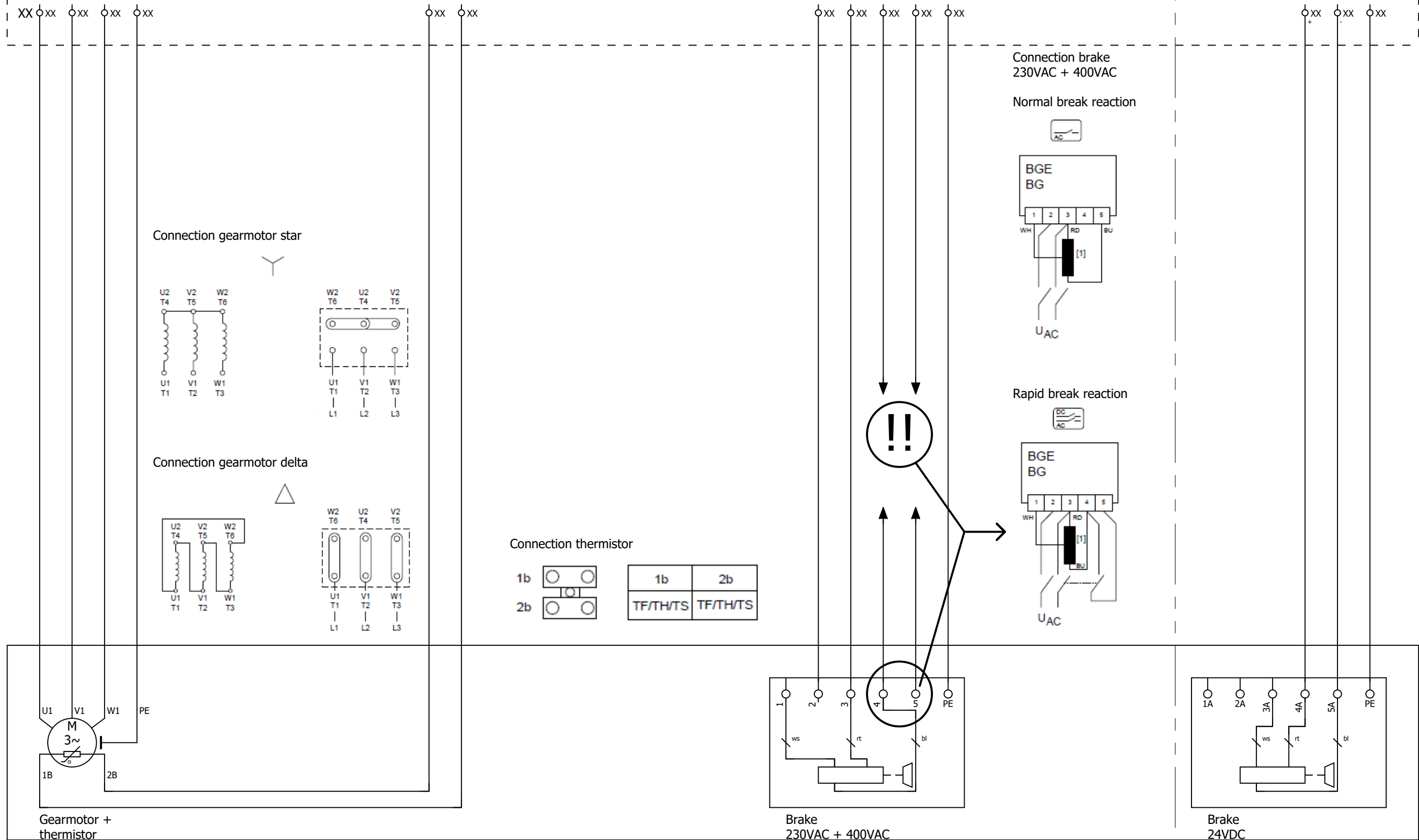
Image may differ from reality.



For technical specifications of gearmotor, machine configuration and other data see specification sheet.

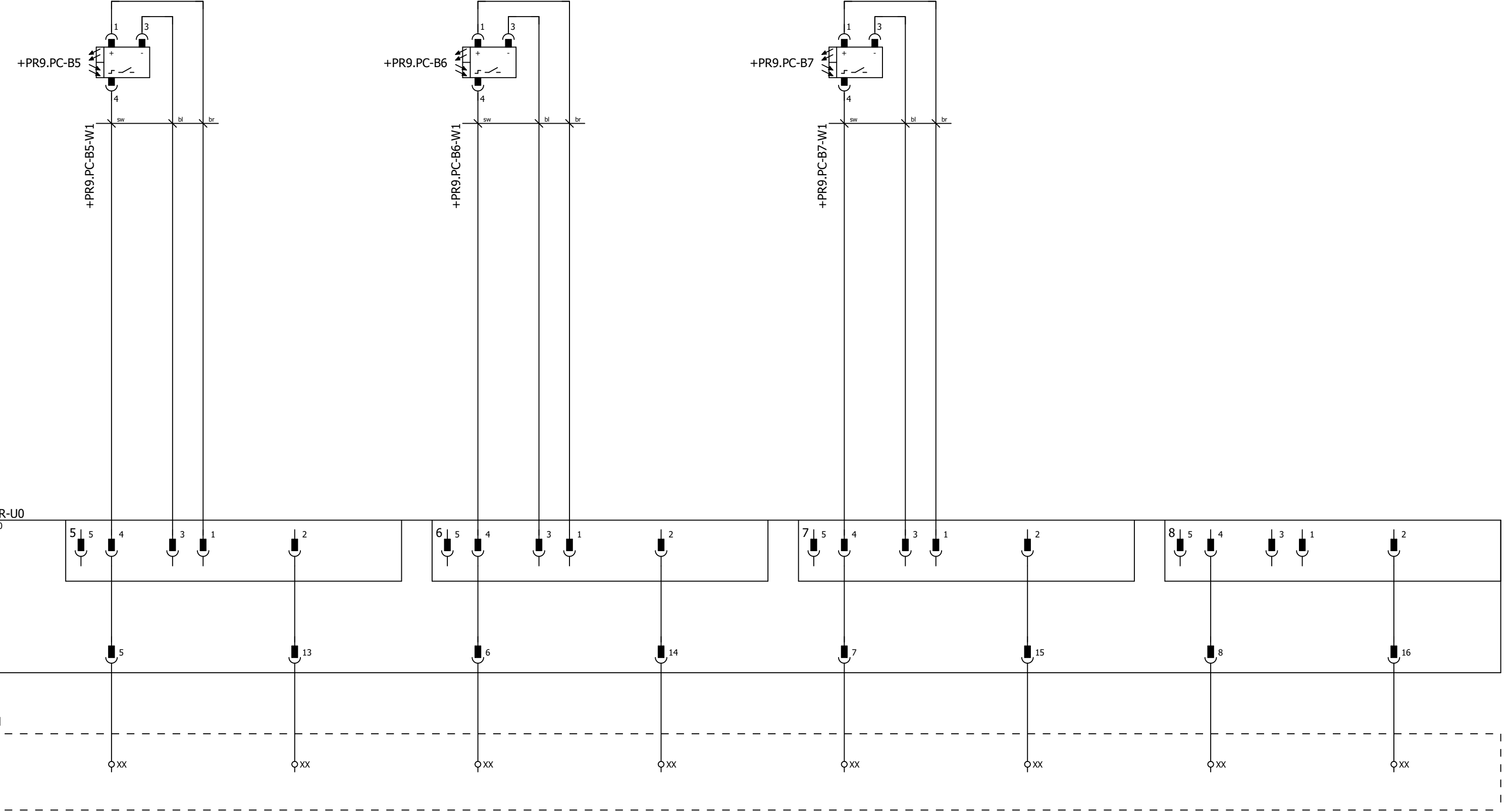
EXTERN

Alternative



Gearmotor conveyor on carrier

For technical specifications of gearmotor, applied options, machine configuration and other data see specification sheet.



Passive plug-in terminal Prorunner mk9 carrier Detection carrier not free 1 Spare Detection carrier not free 2 Spare Product on conveyor Spare Spare Spare

Parts list

Position	Quantity	Article number	Description	Manufacturer	Type number
-B5	1	1005663	Reflex sensor	Sick	GL6-P4211
-B5	1	1003575	Reflector	Sick	PL20A
-B5	1	AE0047194	Proximity / reflex sensor	Sick	RT-P3221
-B5-W1	1	1007649	Prefab cable, PVC, 2 meter, connector M12 male + female M8, 4-pole	Murrelektronik	PVC-OB 4x0,25mm2
-B5-W1	1	1001528	Prefab cable, PVC, 2 meter, connector M12 male 90°+ M12 female 90°, 4-pole	Murrelektronik	PVC-OB 4x0,34mm2
-B6	1	1005663	Reflex sensor	Sick	GL6-P4211
-B6	1	1003575	Reflector	Sick	PL20A
-B6	1	AE0047194	Proximity / reflex sensor	Sick	RT-P3221
-B6-W1	1	1007649	Prefab cable, PVC, 2 meter, connector M12 male + female M8, 4-pole	Murrelektronik	PVC-OB 4x0,25mm2
-B6-W1	1	1001528	Prefab cable, PVC, 2 meter, connector M12 male 90°+ M12 female 90°, 4-pole	Murrelektronik	PVC-OB 4x0,34mm2
-B7	1	1005663	Reflex sensor	Sick	GL6-P4211
-B7	1	1003575	Reflector	Sick	PL20A
-B7	1	AE0047194	Proximity / reflex sensor	Sick	RT-P3221
-B7-W1	1	1007649	Prefab cable, PVC, 2 meter, connector M12 male + female M8, 4-pole	Murrelektronik	PVC-OB 4x0,25mm2
-B7-W1	1	1001528	Prefab cable, PVC, 2 meter, connector M12 male 90°+ M12 female 90°, 4-pole	Murrelektronik	PVC-OB 4x0,34mm2
-M1	1		See specification sheet		



Nobelstraat 43
3846 CE Harderwijk
The Netherlands

Phone: +31 341 - 436700
Fax: +31 341 - 436701
www.qimarox.com
info@qimarox.com

Document name: Electrical drawings PRmk9 v9.1 Stand alone
Mounting location: Extra stop positions 1 - 4
Type: Stand alone, Standard

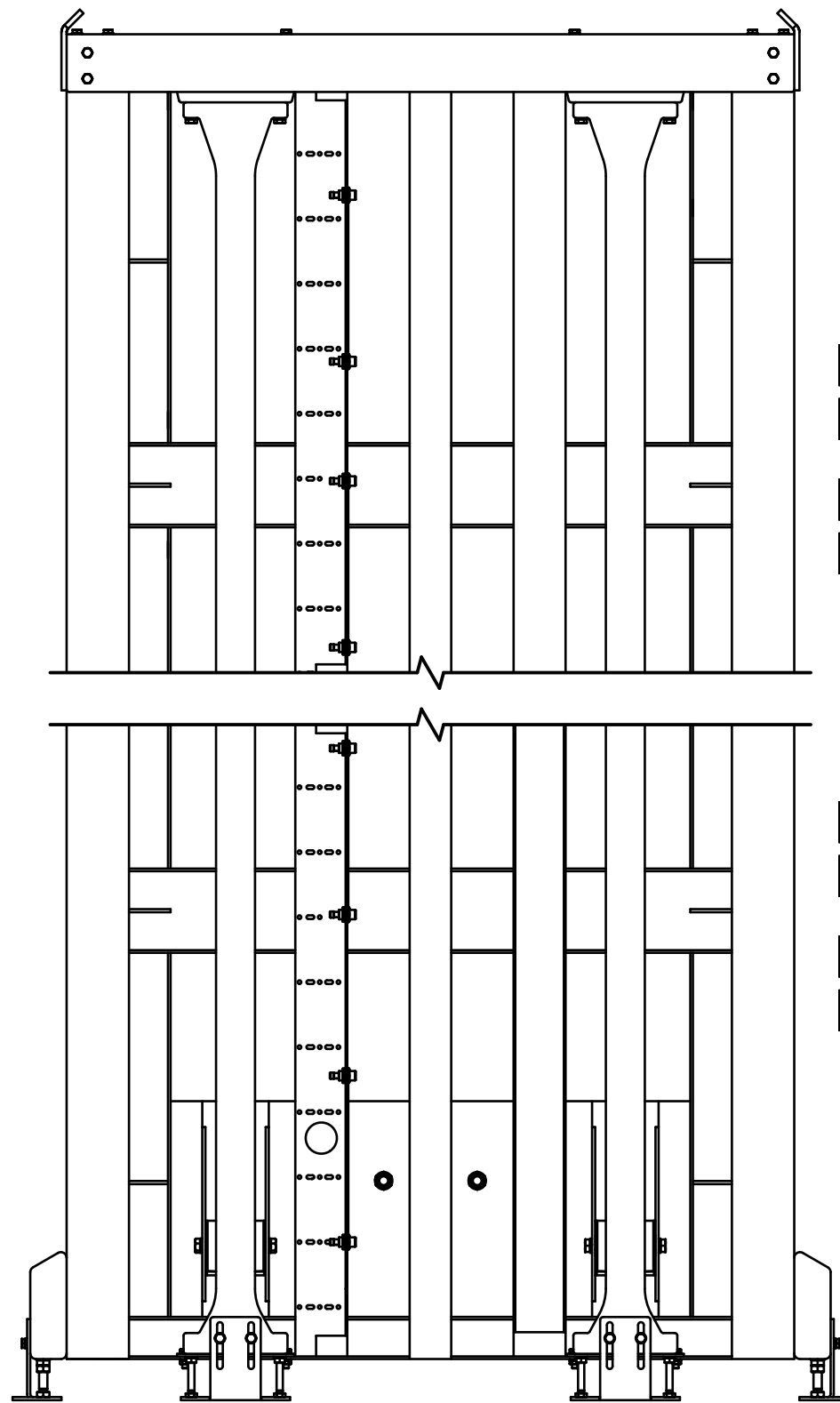
This section only applies if there are more than two stop positions

Power supply: See specification sheet
Control voltage: 24VDC
According to: NEN-EN-IEC 60204-1: 2018

Version number: v9.1

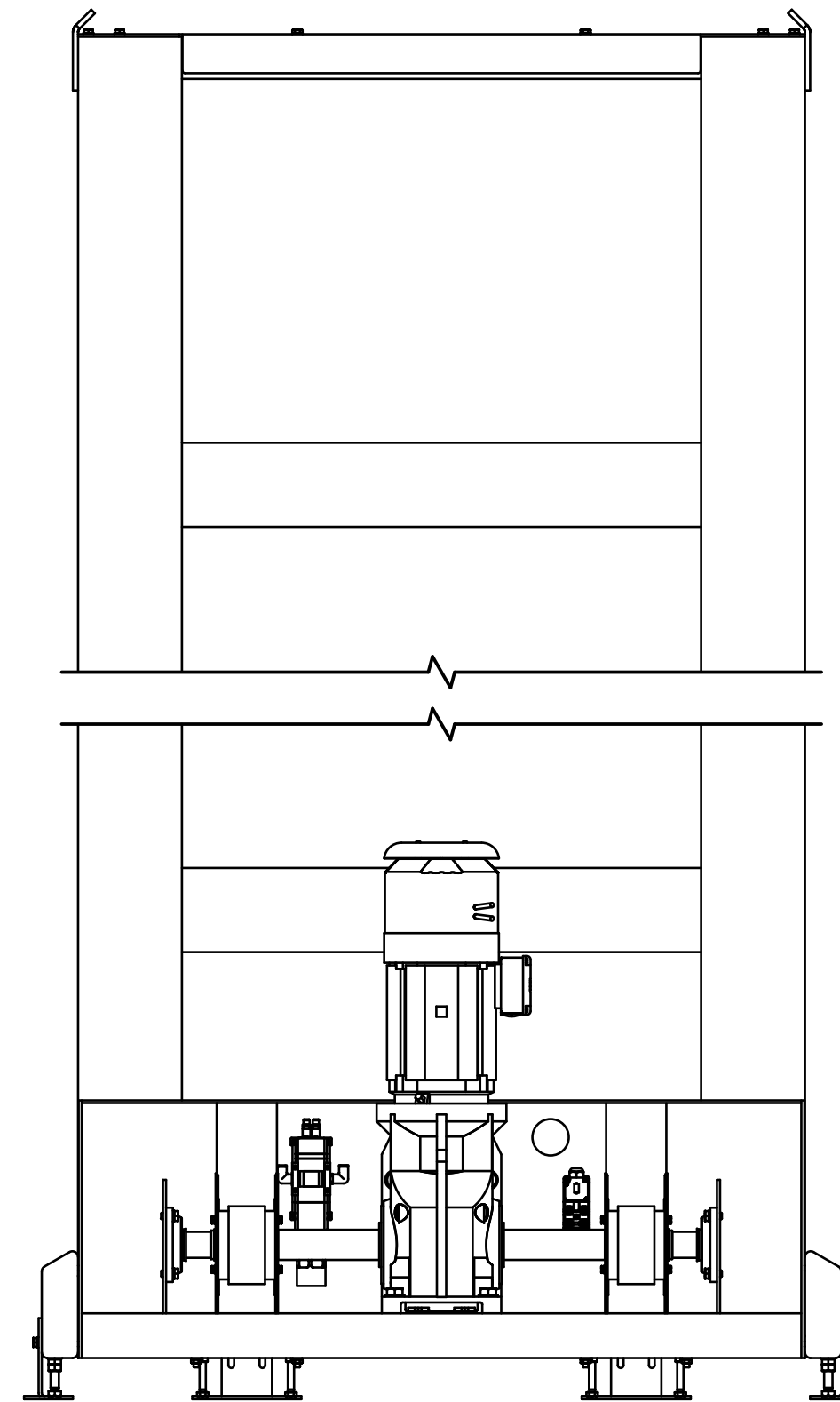
Table of contents

Page	Page description
1	Title page
2	Table of contents
10	Layout extra stop positions
20	Overview passive plug-in terminal extra stop positions 1-4
500	Field components
501	Field components
2000	Parts list



-  +PR9.ES1-B8
-  +PR9.ES1-B7
-  +PR9.ES1-B6
-  +PR9.ES1-B5

-  +PR9.ES1-B4
-  +PR9.ES1-B3
-  +PR9.ES1-B2
-  +PR9.ES1-B1



+PR9.ES1-U0

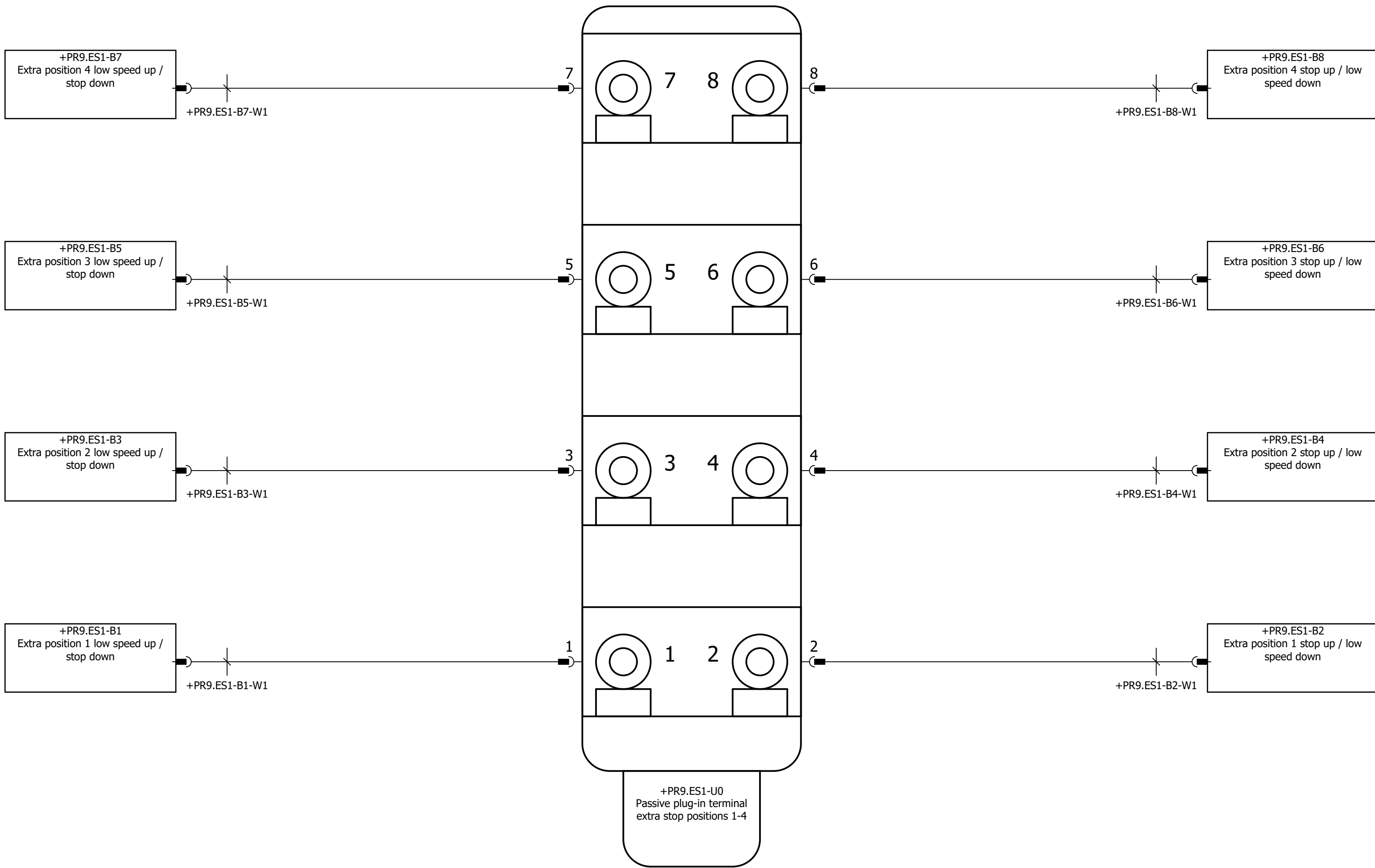


Legend:

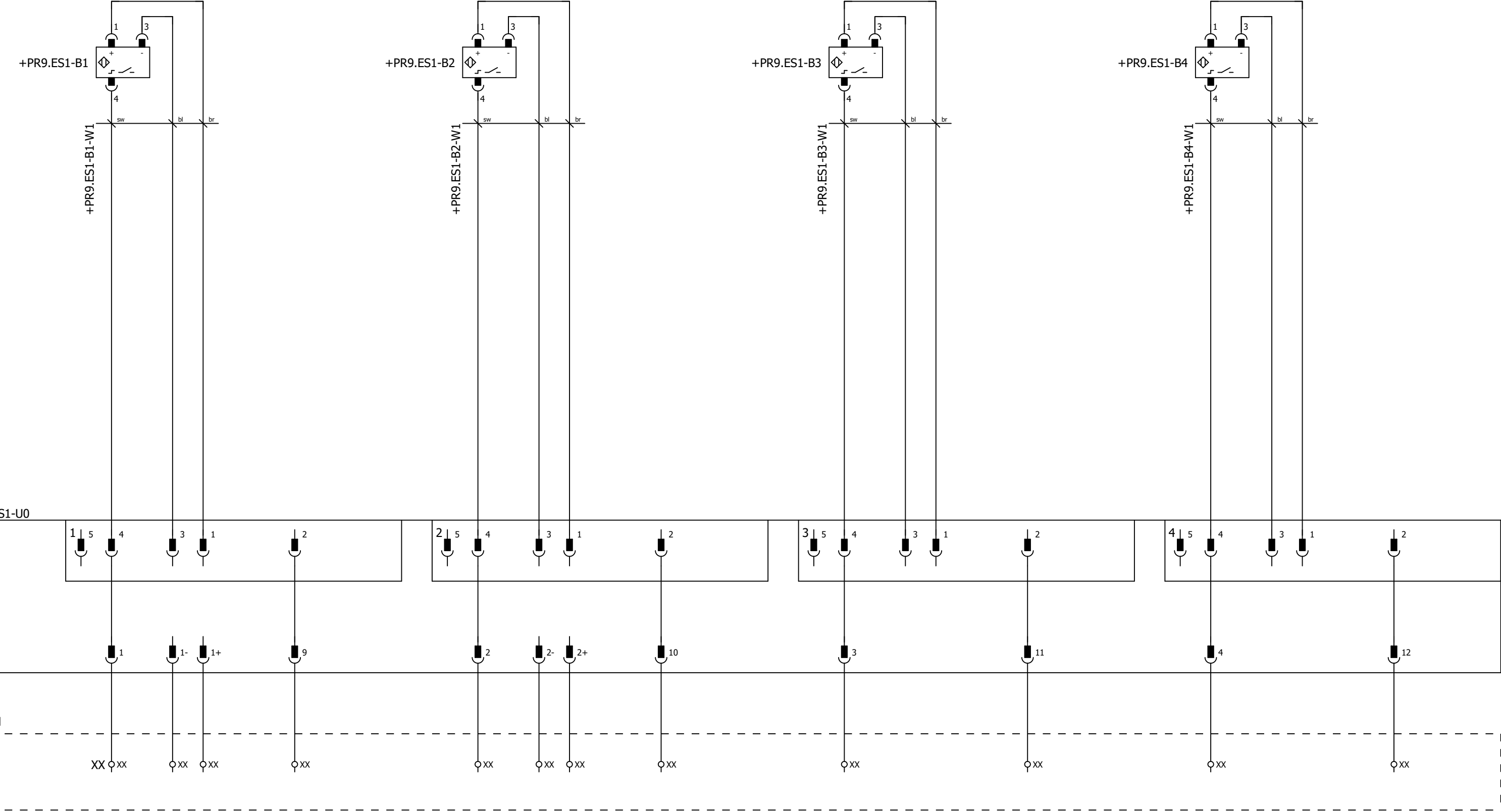
- +PR9.ES1-B1 Extra position 1 low speed up / stop down
- +PR9.ES1-B2 Extra position 1 stop up / low speed down
- +PR9.ES1-B3 Extra position 2 low speed up / stop down
- +PR9.ES1-B4 Extra position 2 stop up / low speed down
- +PR9.ES1-B5 Extra position 3 low speed up / stop down
- +PR9.ES1-B6 Extra position 3 stop up / low speed down
- +PR9.ES1-B7 Extra position 4 low speed up / stop down
- +PR9.ES1-B8 Extra position 4 stop up / low speed down
- +PR9.ES1-U0 Passive plug-in terminal extra stop positions 1-4

For technical specifications of gearmotor, applied options, machine configuration and other data see specification sheet.

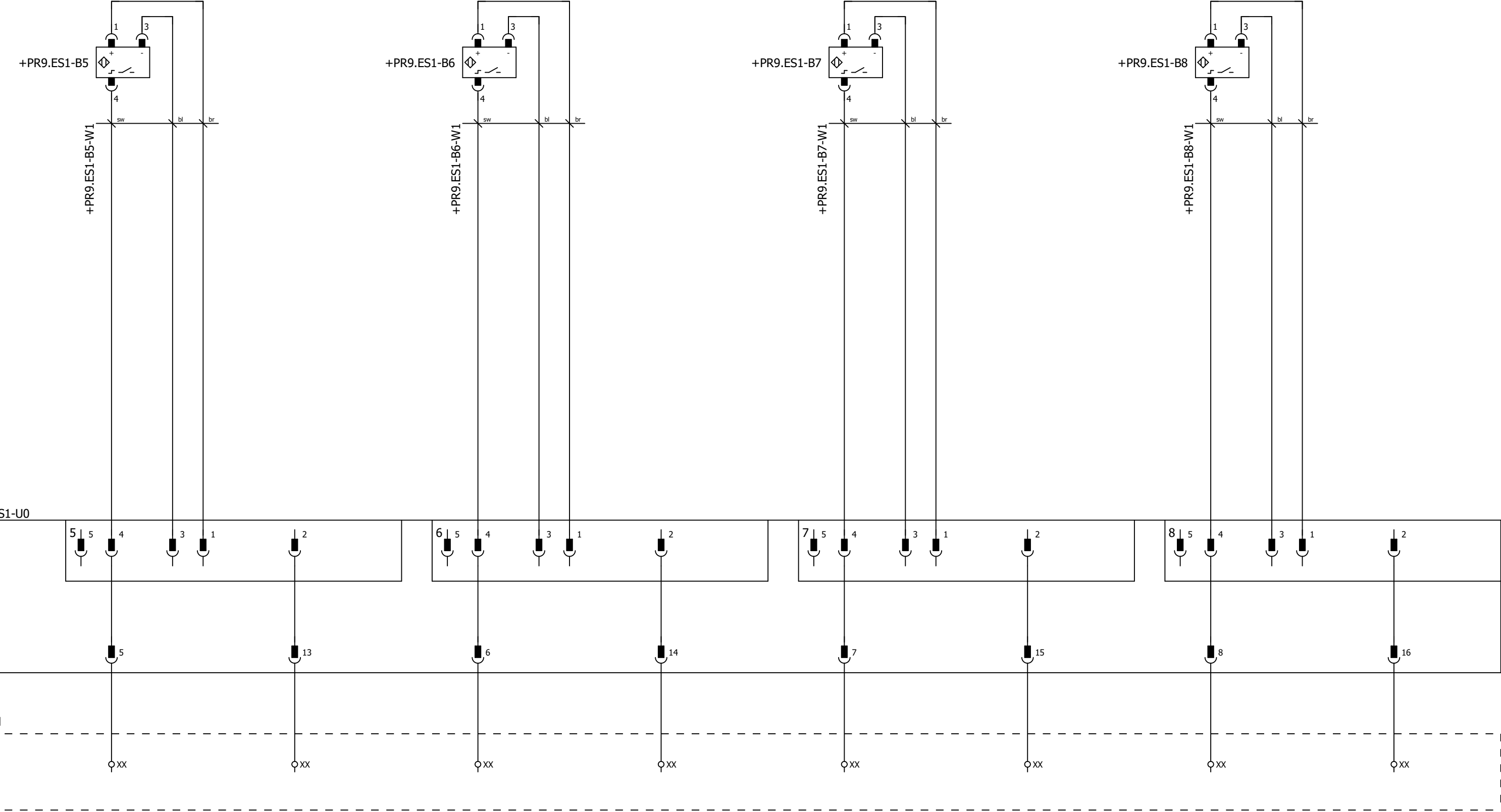
Image may differ from reality.



For technical specifications of gearmotor, machine configuration and other data see specification sheet.



Passive plug-in terminal extra stop positions 1-4 Extra position 1 low speed up / stop down Spare Extra position 1 stop up / low speed down Spare Extra position 2 low speed up / stop down Spare Extra position 2 stop up / low speed down Spare



Passive plug-in terminal extra stop positions 1-4 Extra position 3 low speed up / stop down Spare Extra position 3 stop up / low speed down Spare Extra position 4 low speed up / stop down Spare Extra position 4 stop up / low speed down Spare

Parts list

Position	Quantity	Article number	Description	Manufacturer	Type number
-B1	1	1000932	Inductive proximity sensor	Sick	IME18-08BPSZC0K
-B1-W1	1	1001326	Prefab cable, PVC, 5 meter, connector M12 male 90°+ M12 female 90°, 4-pole	Murrelektronik	PVC-OB 4x0,34mm2
-B1-W1	1	1001600	Prefab cable, PVC, 10 meter, connector M12 male 90°+ M12 female 90°, 4-pole	Murrelektronik	PVC-OB 4x0,34mm2
-B1-W1	1	1006487	Prefab cable, PVC, 15 meter, connector M12 male 90°+ M12 female 90°, 4-pole	Murrelektronik	PVC-OB 4x0,34mm2
-B2	1	1000932	Inductive proximity sensor	Sick	IME18-08BPSZC0K
-B2-W1	1	1001326	Prefab cable, PVC, 5 meter, connector M12 male 90°+ M12 female 90°, 4-pole	Murrelektronik	PVC-OB 4x0,34mm2
-B2-W1	1	1001600	Prefab cable, PVC, 10 meter, connector M12 male 90°+ M12 female 90°, 4-pole	Murrelektronik	PVC-OB 4x0,34mm2
-B2-W1	1	1006487	Prefab cable, PVC, 15 meter, connector M12 male 90°+ M12 female 90°, 4-pole	Murrelektronik	PVC-OB 4x0,34mm2
-B3	1	1000932	Inductive proximity sensor	Sick	IME18-08BPSZC0K
-B3-W1	1	1001326	Prefab cable, PVC, 5 meter, connector M12 male 90°+ M12 female 90°, 4-pole	Murrelektronik	PVC-OB 4x0,34mm2
-B3-W1	1	1001600	Prefab cable, PVC, 10 meter, connector M12 male 90°+ M12 female 90°, 4-pole	Murrelektronik	PVC-OB 4x0,34mm2
-B3-W1	1	1006487	Prefab cable, PVC, 15 meter, connector M12 male 90°+ M12 female 90°, 4-pole	Murrelektronik	PVC-OB 4x0,34mm2
-B4	1	1000932	Inductive proximity sensor	Sick	IME18-08BPSZC0K
-B4-W1	1	1001326	Prefab cable, PVC, 5 meter, connector M12 male 90°+ M12 female 90°, 4-pole	Murrelektronik	PVC-OB 4x0,34mm2
-B4-W1	1	1001600	Prefab cable, PVC, 10 meter, connector M12 male 90°+ M12 female 90°, 4-pole	Murrelektronik	PVC-OB 4x0,34mm2
-B4-W1	1	1006487	Prefab cable, PVC, 15 meter, connector M12 male 90°+ M12 female 90°, 4-pole	Murrelektronik	PVC-OB 4x0,34mm2
-B5	1	1000932	Inductive proximity sensor	Sick	IME18-08BPSZC0K
-B5-W1	1	1001326	Prefab cable, PVC, 5 meter, connector M12 male 90°+ M12 female 90°, 4-pole	Murrelektronik	PVC-OB 4x0,34mm2
-B5-W1	1	1001600	Prefab cable, PVC, 10 meter, connector M12 male 90°+ M12 female 90°, 4-pole	Murrelektronik	PVC-OB 4x0,34mm2
-B5-W1	1	1006487	Prefab cable, PVC, 15 meter, connector M12 male 90°+ M12 female 90°, 4-pole	Murrelektronik	PVC-OB 4x0,34mm2
-B6	1	1000932	Inductive proximity sensor	Sick	IME18-08BPSZC0K
-B6-W1	1	1001326	Prefab cable, PVC, 5 meter, connector M12 male 90°+ M12 female 90°, 4-pole	Murrelektronik	PVC-OB 4x0,34mm2
-B6-W1	1	1001600	Prefab cable, PVC, 10 meter, connector M12 male 90°+ M12 female 90°, 4-pole	Murrelektronik	PVC-OB 4x0,34mm2
-B6-W1	1	1006487	Prefab cable, PVC, 15 meter, connector M12 male 90°+ M12 female 90°, 4-pole	Murrelektronik	PVC-OB 4x0,34mm2
-B7	1	1000932	Inductive proximity sensor	Sick	IME18-08BPSZC0K
-B7-W1	1	1001326	Prefab cable, PVC, 5 meter, connector M12 male 90°+ M12 female 90°, 4-pole	Murrelektronik	PVC-OB 4x0,34mm2
-B7-W1	1	1001600	Prefab cable, PVC, 10 meter, connector M12 male 90°+ M12 female 90°, 4-pole	Murrelektronik	PVC-OB 4x0,34mm2
-B7-W1	1	1006487	Prefab cable, PVC, 15 meter, connector M12 male 90°+ M12 female 90°, 4-pole	Murrelektronik	PVC-OB 4x0,34mm2
-B8	1	1000932	Inductive proximity sensor	Sick	IME18-08BPSZC0K
-B8-W1	1	1001326	Prefab cable, PVC, 5 meter, connector M12 male 90°+ M12 female 90°, 4-pole	Murrelektronik	PVC-OB 4x0,34mm2
-B8-W1	1	1001600	Prefab cable, PVC, 10 meter, connector M12 male 90°+ M12 female 90°, 4-pole	Murrelektronik	PVC-OB 4x0,34mm2
-B8-W1	1	1006487	Prefab cable, PVC, 15 meter, connector M12 male 90°+ M12 female 90°, 4-pole	Murrelektronik	PVC-OB 4x0,34mm2
-U0	1	1003309	Passive plug-in terminal, 8-fold, 5-pole, M12	Murrelektronik	Exact12 8xM12 5-p