

MODEL 450BOS PARTS LIST

ITEM #	DESCRIPTION
1	End Bed Assembly
2	1.9 Return Roller Bracket
3	196S Roller Assembly
4	Splice Plate
5	450 Box Type End Bed
6	Bed Pan Brace Channel
7	Full Length Bed Assembly
8	Intermediate Bed Assembly
9	196 Snub Roller Guard (4" Fixed, End Drive, & Take-up)
10	196 Snub Roller Guard (4" Sidemount Drive)
11	4" End Take-up Assembly
12	4" Round Style Take-up Plate
13	4" Round Style Take-up Plate
14	4" Idler Pulley Assembly
15	Filler Pan (Universal)
16	Bolt-on Take-up Plate
17	2 Hole Flanged Bearing
18	Take-up Bolt 1/2" - 13 x 6" LG.
19	4" Fixed End Assembly
20	4" Round Style Fixed End Plate
21	4" End Drive Assembly
22	4" Drive Pulley Assembly
23	8" End Drive Assembly
24	8" Fixed End & Drive Plate
25	2.5 Return Roller Bracket
26	251S Roller Assembly
27	Snub Roller Guard for 8" Drives
28	8" Drive Pulley Assembly
29	Filler Pan (8" End Drives)
30	4 Hole Flanged Bearing
31	4" Center Drive Assembly
32	2.5 Roller Keeper
33	Center Drive Bearing Guide
34	Take-up Bearing Assembly (LH)

ITEM #	DESCRIPTION
35	Take-up Bearing Assembly (RH)
36	251S Roller Assembly
37	4" Center Drive Plate (LH)
38	4" Center Drive Plate (RH)
39	4" Drive Pulley Assembly
40	4" Idler Pulley Assembly
41	4" Center Drive Belt Guard
42	4" Center Drive Belt Guard
43	Frame Crossbrace
44	3 Hole Flanged Bearing
45	Bearing Guide Spacer
46	8" Center Drive Plate (LH)
47	8" Center Drive Plate (RH)
48	8" Drive Pulley Assembly
49	8" Center Drive Belt Guard
50	8" Center Drive Belt Guard
51	4 Hole Flanged Bearing
52	Belting Assembly
53	Gear Reducer
54	Motor
55	Sidemount Drive Assembly
56	Motorbase Stiffener Assembly (1HP+)
57	Motorbase Spacer 8" End Drive
58	Reducer Push Plate Assembly
59	Side Mount Motorbase Plate
60	Side Mount Chain Guard Assembly
61	Underneath Mount Drive Assembly
62	Underneath Mount Motorbase Plate
63	Reducer Push Plate Assembly
64	Guard Mounting Bracket
65	Underneath Mount Chain Guard
66	Drive Assembly for Center Drive
67	Center Drive Chain Guard Mounting Bracket
68	Center Drive Chain Guard Assembly

Specify **Unit Serial Number** when ordering replacement parts to ensure proper allocation of components. **Recommended Spare Parts are shown in red.** Charted are item numbers and part descriptions. When ordering use example below.

Example: Need a replacement Return Roller Bracket for a 450BOS.

Part No: SN 123456 - 2 - 1.9 Return Roller Bracket

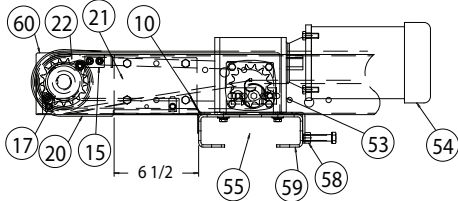


ROACH CONVEYORS
 808 HIGHWAY 463
 TRUMANN, AR 72472
 TEL 870-483-7631

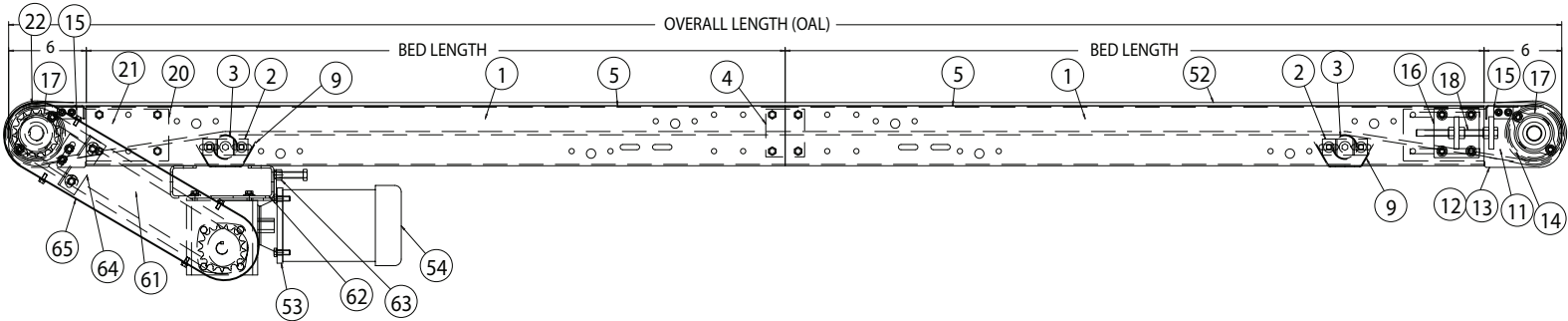
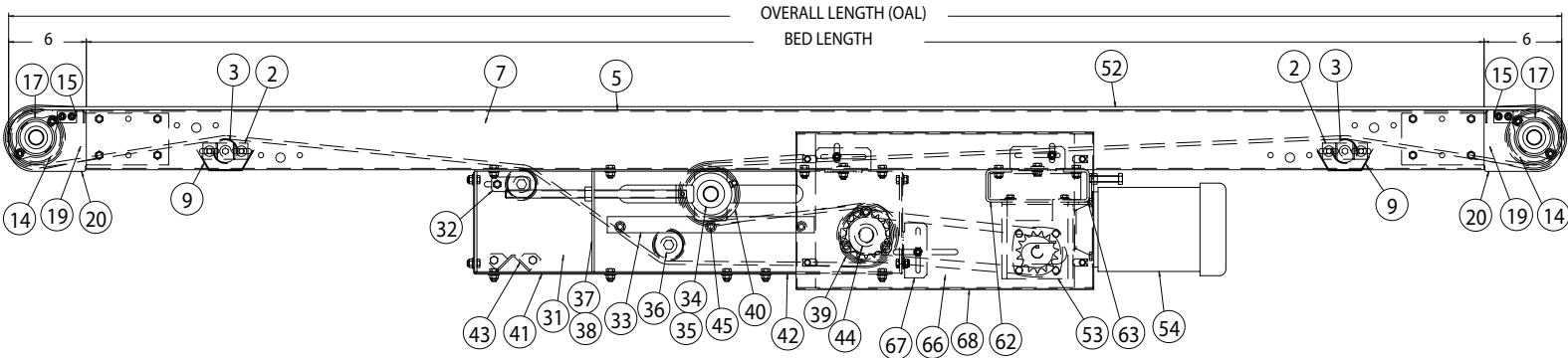
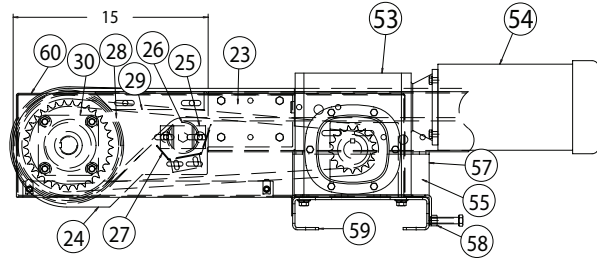
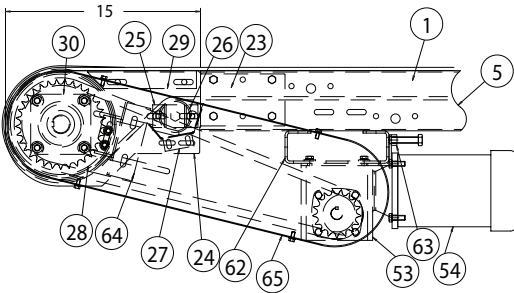
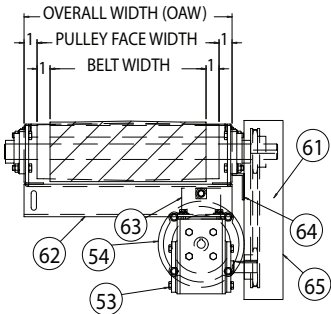
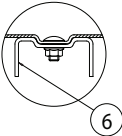
SERIAL NO. 123456

MODEL 450BOS END DRIVE, END SIDE MOUNT DRIVE & CENTER DRIVE DRAWINGS

SIDE MOUNTED END DRIVE



BED PAN BRACE CHANNEL DETAIL



! WARNING

Use connector bracket with safety pop out roller to permanently attach gravity conveyor sections to 450BOS