

MODEL 196VP

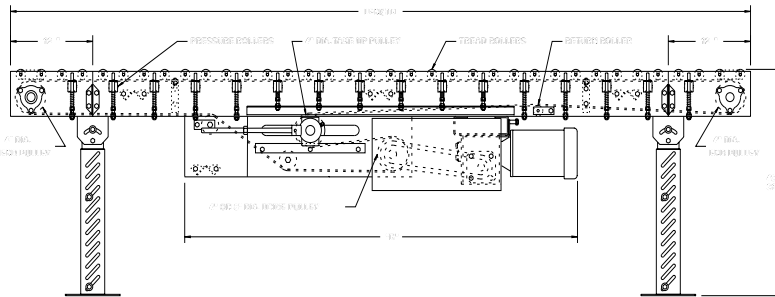
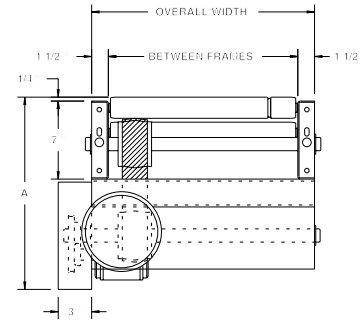
MEDIUM DUTY VARIABLE PRESSURE LIVE ROLLER ACCUMULATOR

24 HOUR SHIPMENTS INCLUDE ALL 1-FOOT INCREMENTS 6'-0" TO 100'-0"



Conveyor shown with optional supports

Model 196VP, variable pressure accumulator, conveys loads up to 125 lbs./ft. with as little as 2-1/2% back pressure. With reversible center drive, this unit accumulates goods safely with minimum back pressure. Ideally, packages of uniform weight can be temporarily accumulated by combining Roach pneumatic package stops.



HP@ 60 FPM	"A" MAX		"B" MAX	
	4" DRV.	8" DRV.	4" DRV.	8" DRV.
1/3	16-5/8"	17-5/8"	58-5/32"	58-5/32"
1/2	16-5/8"	17-5/8"	58-5/32"	58-5/32"
3/4	17"	17-5/8"	58-25/32"	58-25/32"
1	17-1/4"	17-5/8"	59-17/32"	59-17/32"
1-1/2	18-1/8"	18-1/8"	61-21/32"	61-21/32"
2	19"	19"	62-21/32"	62-21/32"

SPECIFICATIONS

TREAD ROLLERS: 1.9" dia. x 16 ga. steel, model 196S.

PRESSURE ROLLERS: 1.9" dia. x 16 ga. steel, model 196S.

RETURN ROLLERS: 1.9" dia. x 16 ga. steel, model 196S, adjustable.

BELTING: 2-1/4" wide "high strength" PVC-150 belt. ***NOTE: WHEN SLAVE DRIVING OTHER UNITS, OPTIONAL 6" WIDE PVC-120 DRIVE BELT MUST BE USED ON UNITS 20' LONG AND ABOVE.**

CENTER DRIVE: Reversible drive with 24" integral belt take-up. For units under 8'-0" overall length, drive components must be stacked. Consult factory for minimum unit elevation.

END PULLEY: 4" dia., crowned, with 1-3/16" dia. shaft.

DRIVE PULLEY: *4" dia. with 1-3/16" dia. shaft or 8" dia. with 1-7/16" dia. shaft, both crowned and fully lagged.

SPEED: 60 FPM, constant.

BED: 7" x 1-1/2" x 12 ga. channel frame slotted for tread rollers to pop-out. When unit is installed at 7'-0" elevation or higher, rollers must be retained in conveyor frame. Specify desired elevation. Bed sections attached with couplings and floor supports.

SQUARING RODS: Adjustable rods on underside of bed allow frame to be squared for improved belt tracking and are standard on all units over 30'.

BEARINGS: All pulley bearings are precision, heavy duty, lubricated, ball bearing units with cast iron housings.

MOTOR DRIVE: 1/3 HP, 230/460/3, 60 cycle, ODP right angle gear motor.

ROLLER CHAIN: Drive pulley is driven by No. 50 roller chain for 1-1/2 HP or less and No. 60 chain on larger drives. Chain take-up provided on motor base.

ELECTRICAL CONTROLS: Optional.



⚠ WARNING

Pop-out rollers should be retained in frame if unit is elevated to 7'-0" and above.

*When using 2-1/4" wide drive belt, 4" dia. drive pulley supplied up to 20'-0" long; 8" dia. pulley supplied over 20'-0" unit lengths.
 *When using OPTIONAL 6" wide drive belt, 4" dia. drive pulley supplied up to 50'-0" long; 8" dia. pulley supplied over 50'-0" unit lengths.
 *When slave driving other units, OPTIONAL 6" wide drive belt must be used on units 20'-0" and above.

SPECIFICATION TABLE

■ 24 hour shipment

CONVEYOR LENGTH			6'	10'	15'	20'	25'	30'	40'	50'	60'	70'	80'	90'	100'
BF	OAW	BELT	UNIT WEIGHTS (lbs.) with 3" Roller Centers (For other centers, deduct weights below)												
15"	18"	2-1/4"	446	553	722	856	1025	1159	1462	1765	2068	2371	2674	2977	3280
19"	22"	2-1/4"	478	600	782	934	1123	1270	1600	1934	2274	2595	2925	3255	3590
21"	24"	2-1/4"	511	645	847	1015	1217	1385	1755	2125	2495	2865	3235	3605	3975
25"	28"	2-1/4"	557	709	939	1132	1358	1543	1963	2370	2780	3193	3608	4020	4458
27"	30"	2-1/4"	579	738	977	1176	1415	1614	2052	2490	2928	3366	3804	4242	4680
33"	36"	2-1/4"	650	828	1107	1337	1613	1843	2349	2855	3361	3867	4373	4879	5385
39"	42"	2-1/4"	717	928	1237	1501	1810	2074	2647	3220	3793	4366	4939	5512	6085

Deduct the following weights (lbs.) for other than 3" centers

Tread Roller Centers	15" BF		19" BF		21" BF		25" BF		27" BF		33" BF		39" BF	
	Per 5'	Per 10'	Per 5'	Per 10'	Per 5'	Per 10'	Per 5'	Per 10'	Per 5'	Per 10'	Per 5'	Per 10'	Per 5'	Per 10'
4-1/2"	-23	-45	-28	-55	-30	-60	-35	-69	-37	-75	-45	-90	-53	-105
6"	-45	-90	-54	-108	-60	-120	-69	-138	-75	-150	-90	-180	-105	-210

OPTIONAL EQUIPMENT

END DRIVE: Mounted underneath conveyor. Minimum possible height is 20" TOR for underneath mounted end drive. Belt take-up required for end drive (if substituting end drive for center drive).

SIDE MOUNTED END DRIVE: Provides overall conveyor height of 10".

BELTING: 6" wide black PVC-120; 6" wide black PVC-150; 12" wide PVC-120.

GUARD RAILS: 1-3/4" x 1" formed channel (model GC), adjusts horizontally to 8" wider than roller and vertically to 6" above roller; formed steel fixed (model FSG in 2", 4" and 6" heights; fixed channel (model FC); 1-1/2" angle (model GA1-1/2). See Conveyor Accessories.

CEILING HANGERS: 5/8" dia. threaded rod with hardware to attach rods to conveyor. Provides 6' clearance between ceiling and TOR (furnished in place of floor supports). See Conveyors Accessories.

FLOOR SUPPORTS: Supports, knee braces, casters and polytiter supports available. See Conveyor Accessories.

SPEED: Constant speed 3-120 FPM; DC variable speed; AC inverter variable speed. Other constant or variable speeds available. **NOTE: CAPACITY CHANGES WITH SPEED.**

GALVANIZED ROLLERS: Both tread and pressure rollers available in galvanized steel, model 196G. Specify tread only or both tread and pressure rollers.

192S TREAD ROLLERS: 1.9" dia. x 12 ga. steel tread rollers, model 192S, available in model 192VP.

AUXILIARY TAKE-UP: Provides 24" of belt take-up. Specify location. See Power Accessories.

MOTORS: Available through 3 HP in TEFC, explosion proof, dirty duty, brake motor, 115/230/1, 575/3, etc.

ELECTRICAL CONTROLS: Magnetic starter (one direction or reversible); One direction manual starter; Momentary start/stop push button station; Forward/reversing /stop push button station. Mounting and pre-wiring for units up to 12' long.



VARIABLE PRESSURE ADJUSTMENT

