

# **BEST<sup>TM</sup>**

**Diversified Products, Inc.**

**Best/Flex Roller Expandable Conveyor**

## **Manual**

Factory Order Number: \_\_\_\_\_

Serial Number: \_\_\_\_\_

Ship Date: \_\_\_\_\_

Best Diversified Products, Inc.  
107 Flint St.  
Jonesboro, Arkansas 72401  
Phone: 870-935-0970  
Toll Free: 800-327-9209  
Fax: 870-935-3661

**99040**  
**May, 2001**

**Please read entire manual before operating conveyor.**

# Best/Flex Roller Expandable Conveyor

## **Introduction:**

Congratulations on your purchase of the Best/Flex Conveyor. Your Best/Flex has been carefully designed, engineered and manufactured to make material handling more simplified and efficient if properly installed, maintained and most importantly, safely used.

Before attempting to install the Best/Flex, please take the time to review all drawings and instructions.

## **Operating Instructions:**

The Best/Flex expandable conveyor is delivered in the compacted position. To expand the length of the unit, grasp the handles located on each side of the end leg assembly and pull. This will require one person at each end of the conveyor. To close or compact the unit, reverse this procedure.

Safe use: When folding or unfolding, keep fingers clear of scissors. Do not exceed the loading capacity of the unit, as this could result in possible injury to the operator and damage the unit.

## **Maintenance Procedures:**

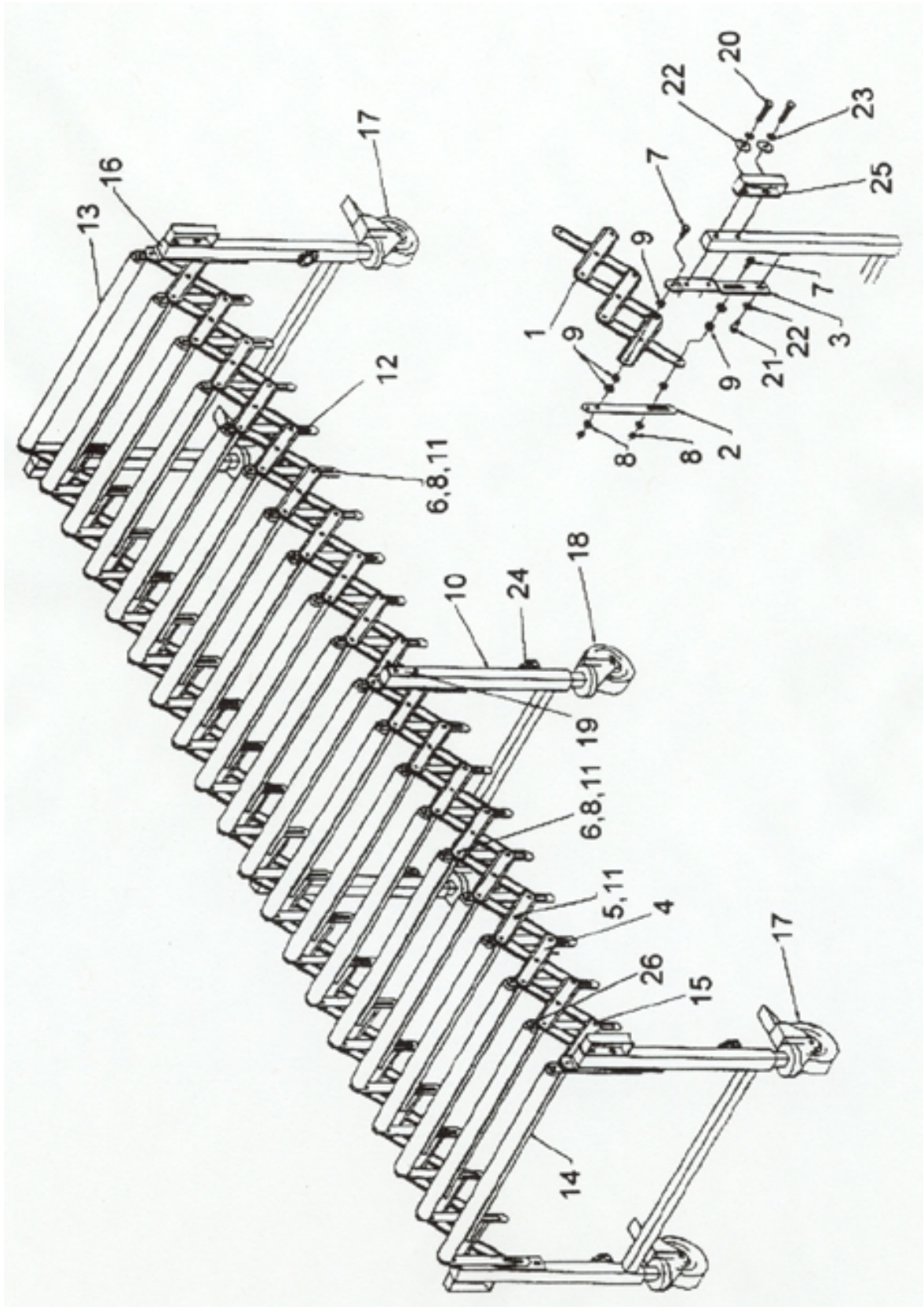
The Best/Flex expandable conveyor is virtually maintenance free, however, we do recommend the following:

1. Keep the Best/Flex clean and free of debris, dirt and grease accumulation.
2. Periodically lubricate all slotted components with a lightweight lubricant to insure smooth and easy operation.
3. Regularly check to insure that all nuts and bolts are moderately tight. **Caution:** Do not over torque as this will prevent the unit from flexing.

Time spent by the operator on preventative maintenance will prolong the operating life of this Best/Flex Expandable Conveyor.

## **Call Best For Service**

Toll Free  
1-800-327-9209  
Fax  
870-935-3661



## Parts List

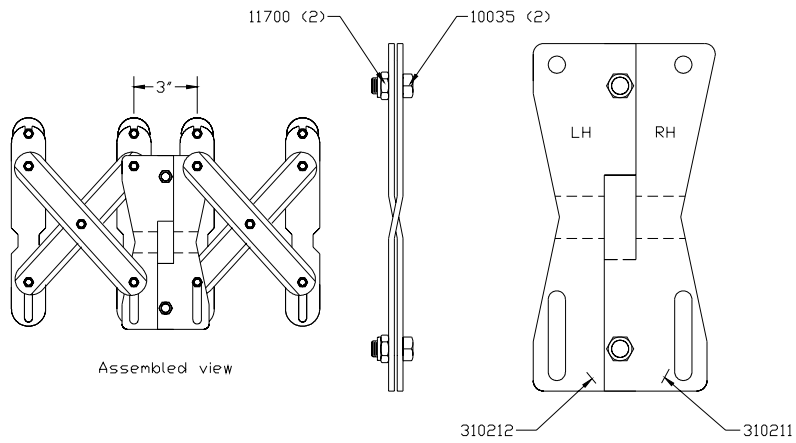
1	60492	Scissor 8 5/8" x 1 1/2" 3/8"-3/8"-3/8"
2	60551	Roller Mt. Brkt. 5"
3	60081-PR	Leg Mt. Brkt 5"
4	99021-4	Decal Best/Flex
5	10600	Bolt Shld. 3/8" x .356" w/ 5/16"-18
6	10620	Bolt Shld. 3/8" x .729" w/ 5/16"-18
7	10624	Bolt Shld. 3/8" x 1.052" w/ 5/16"-18
8	11122	Locknut 5/16"-18 Flange
9	12185	Spacer 3/4" O.D. x 13/32" I.D. x 3/16"
10	4102	Assembly Upper Leg, 18"
10	04464-16	Assembly Upper Leg, 18" Heavy Duty
10	4060	Assembly Upper Leg, 24"
10	04465-16	Assembly Upper Leg, 24" Heavy Duty
10	4101	Assembly Upper Leg, 30"
10	04467-16	Assembly Upper Leg, 30" Heavy Duty
11	12187	Washer Nylon 1" O.D. x 13/32" I.D. x 1/16"
12	99022	Decal Warning/Fingers
13	50095	Roller 1 3/8" Dia. X 17 5/16" (18" Width)
13	50170-18G	Roller 1.9" Dia. X 17 5/16" (18" Width) Heavy Duty
13	50100	Roller 1 3/8" Dia. X 231/16" (24" Width)
13	50170-24G	Roller 1.9" Dia. X 231/16" (24" Width) Heavy Duty
13	50105	Roller 1 3/8" Dia. X 2811/16" (30" Width)
13	50170-30G	Roller 1.9" Dia. X 2811/16" (30" Width) Heavy Duty
14	95027	Axle, Lower Support 181/16" (18" Width)
14	95029	Axle, Lower Support 2311/16" (24" Width)
14	95031	Axle, Lower Support 295/16" (30" Width)
15	99023	Decal, Made In USA
16	14070	Leg Cap 1 1/4" SO. x 14-GA
16	14071	Leg Cap 1 1/4" SO. x 14-GA Heavy Duty
17	06713- TLC5	Inner Leg Ass'y W/Brake
17	06172-149	Inner Leg Ass'y W/Brake Heavy Duty
18	06714-CNB5	Inner Leg Ass'y W/O Brake
18	06172-150	Inner Leg Ass'y W/O Brake Heavy Duty
19	10775	Bolt, Self Thread 3/8"-16 x 1 7/8"
20	10776	Bolt, Self Thread 3/8"-16 x 21/8" Handle
21	10033	Screw HHC 3/8"-16 1/2" GR5 ZK
22	12020	Washer Flat 3/8"
23	12130	Washer Lock 3/8"
24	12291	Knob, Adj 3/8" x 2 3/8" Fluted
25	4001	Weldment, Handle
26	11121	Nut, Cap 5/16"

**\*NOTES**

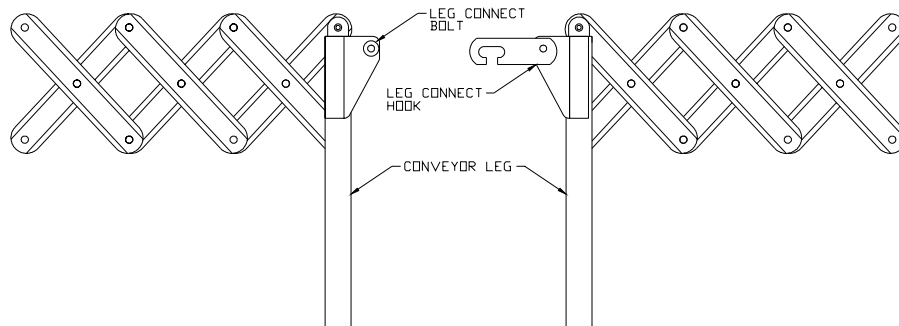
1. Reference page 7 and all pages thereafter for variations and additions to the standard list to assemble your special order conveyor, if applicable.
2. Page 7 is a side view assembly of your specific conveyor. Please refer to P.O and F.O. # when ordering.

# Product Options

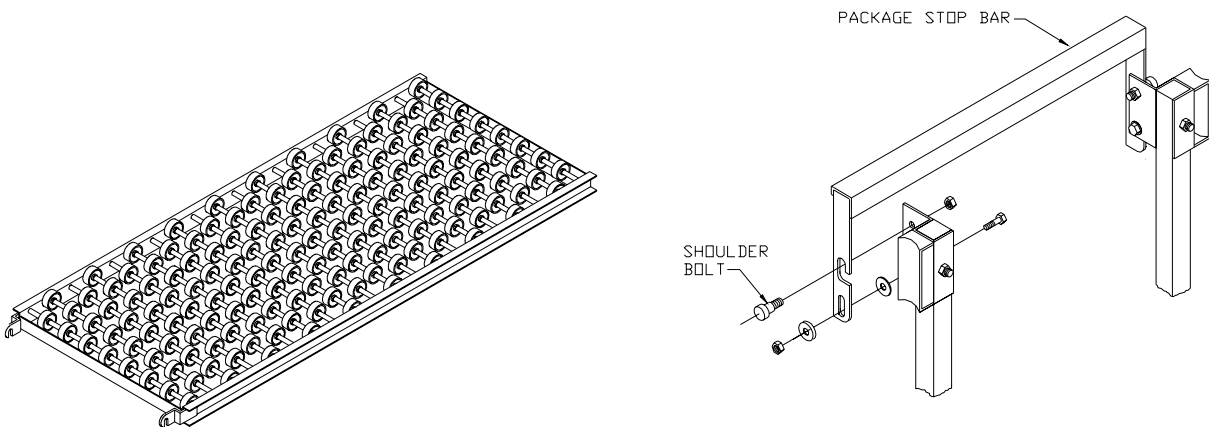
The following items may be purchased as additional equipment for your Best/Flex Expandable Conveyor to enhance your specific application.



## Split Kit Option (when conveyors are split for shipping)



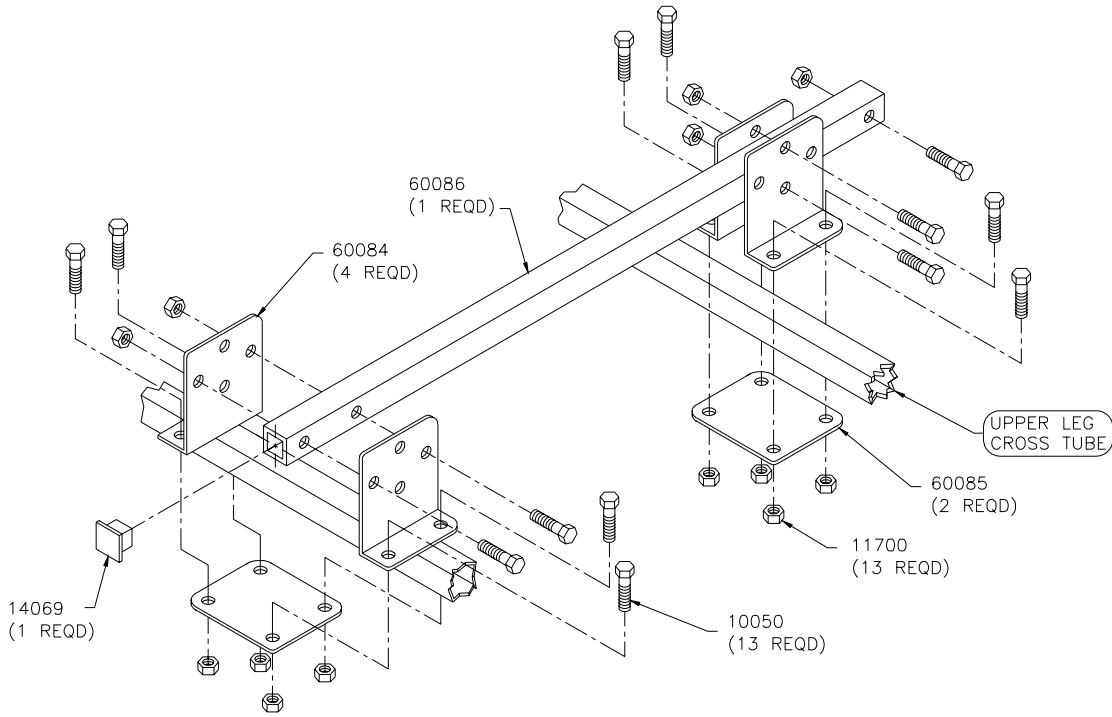
## Leg Connect Kit Option



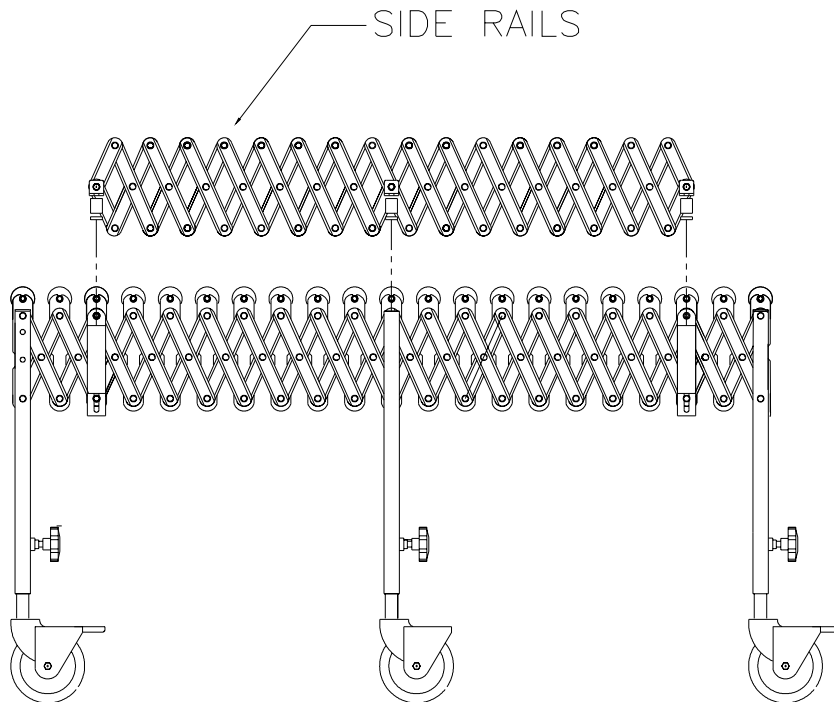
## Extend-A-Stick Option

## Package Stop Option

## Product Options (cont)

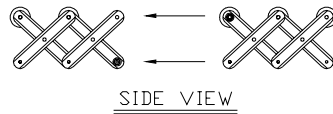
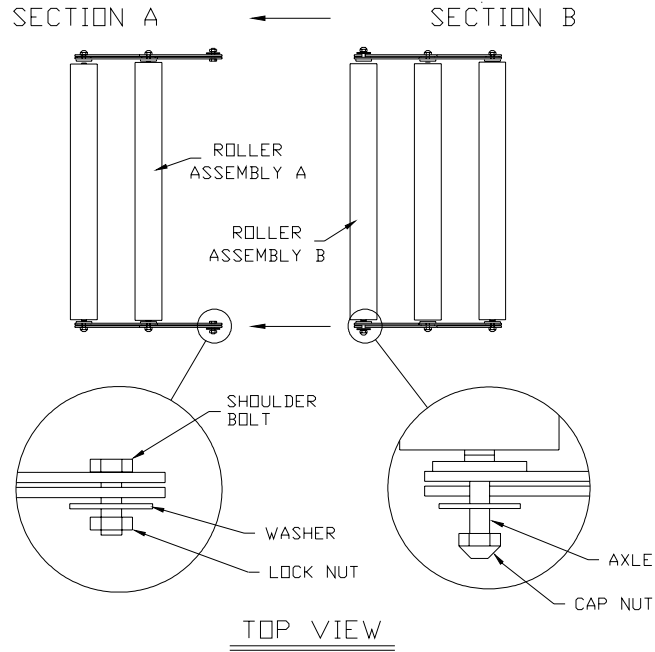
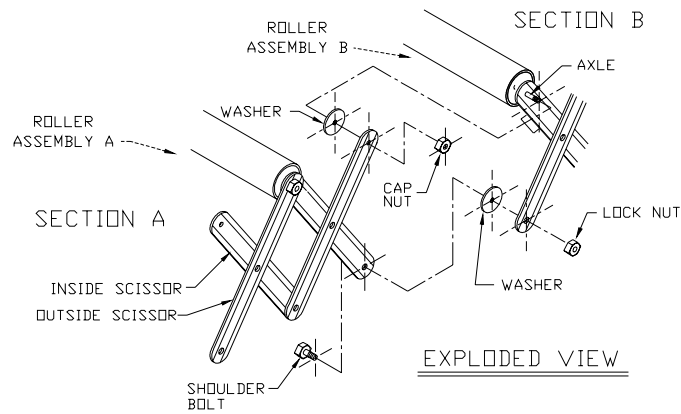


## Longitudinal Leg Brace Option



## Side Rails Option

# CONVEYOR CONNECTION INSTRUCTIONS



# CONVEYOR CONNECTION INSTRUCTIONS

- STEP 1 - REMOVE CAP NUT FROM AXLE OF ROLLER ASSEMBLY B (BOTH SIDES).
- STEP 2 - REMOVE SHOULDER BOLT, PLASTIC WASHER, AND LOCK NUT FROM LOWER SCISSOR OF SECTION A (BOTH SIDES).
- STEP 3 - ROLL SECTION A AND SECTION B TOGETHER MAKING SURE OUTSIDE SCISSORS ARE ON OUTSIDE AND INSIDE SCISSORS ARE ON INSIDE (BOTH SIDES).
- STEP 4 - SLIDE AXLE OF ROLLER ASSEMBLY B BACK AND FORTH TO CONNECT SECTION A TOP SCISSOR TO SECTION B TOP SCISSOR (BOTH SIDES). PUT CAP NUT BACK ON AXLE OF ROLLER ASSEMBLY B AND HAND TIGHTEN ONLY (BOTH SIDES).
- STEP 5 - CONNECT SECTION A BOTTOM SCISSOR TO SECTION B BOTTOM SCISSOR USING HARDWARE REMOVED IN STEP 2 (BOTH SIDES). NOTE: PLASTIC WASHERS MUST GO BETWEEN SCISSORS AS ILLUSTRATED IN EXPLODED VIEW.
- STEP 6 - TIGHTEN CAP NUT ON TOP SCISSOR AND LOCK NUT ON BOTTOM SCISSOR (BOTH SIDES).

**Best Diversified Products, Inc.**

107 Flint St.

Jonesboro, Arkansas 72401

Phone: 870-935-0970

Toll Free: 800-327-9209

Fax: 870-935-3661

**Call Best Customer Service**

**99040**