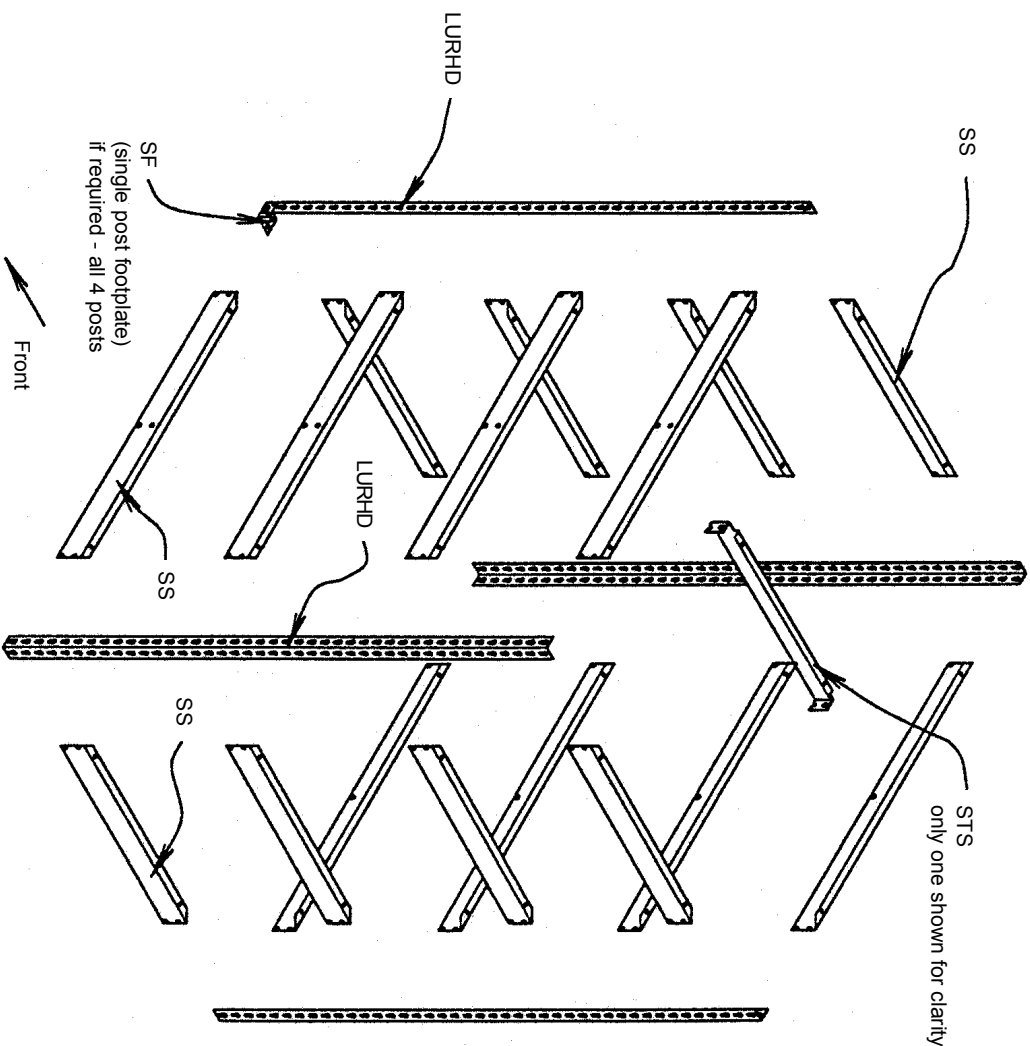
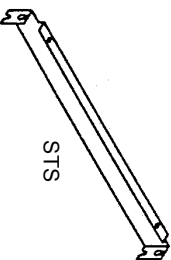
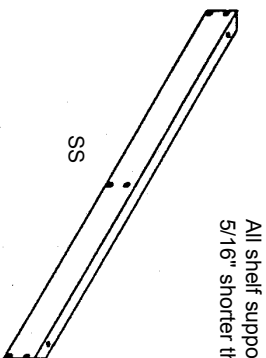
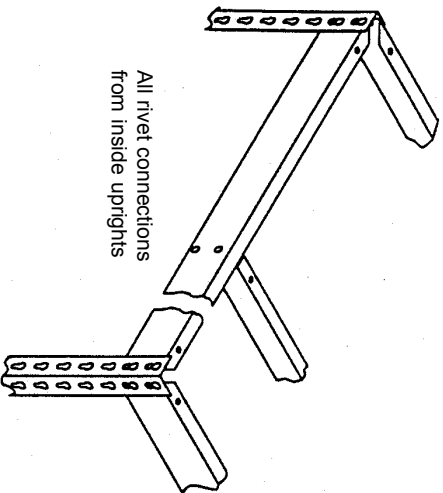


# Riveter®

Boltless Shelving

## Assembly Instructions for Record Archive Shelving



### NOTES

- Particle board not shown for clarity. For ease of installation, shorter depth units should be assembled from the bottom up, inserting particle board as each shelf level is assembled.
- Rivets on beams insert into key slots on posts. Beam must be hit firmly with mallet to seat rivets properly.
- Bottom beam level to be 3" max. from ground level.
- Back and side X braces may be required for seismic applications on units over 8'9" in height.